

## 67. S pumps

### Ranges 34 and 42

#### 50/60 Hz

Gen: generation  
Int: interchangeability

#### Bearing

Pos.	Range Description Kit No	S34			S34X	S42, S42X
		Gen=A/int= Gen=B/int=	Gen=B/int=A Gen=B/int=B	Gen=B/int=D Gen=C/int=	All generations	All generations
		96494645	96494645	96494644	96494645	96494646
60	Retaining ring	1	1	1	1	1
153	Ball bearing (upper)	1	1	1	1	1
154	Ball bearing (lower)	1	1	1	1	1
188	Retaining ring	1	1	1	1	1
197	Washer	1	1	2	1	1

#### Shaft seal

Pos.	Range Description Kit No	S34, S34X		S42	S42	S42X
		Gen=B/int=A Gen=B/int=B	Gen=B/int=D Gen=C/int=	Gen=A Gen=B	Gen=C Gen=D	All generations
		96567323	96567334	96567329	96567334	96567334
105	Shaft seal	1	1	1	1	1

#### Cable

Pos.	Description/Kit No	Range		Cable length			
		34	42	10 m	15 m	25 m	50 m
		Not available. Contact Grundfos.					
181	4 x 1.5 mm <sup>2</sup>	•	•				
	7 x 1.5 mm <sup>2</sup>	•	•	96307955	96307956	96307957	96307958
	9 x 1.5 mm <sup>2</sup>		•	96307963	96307964	96307965	96307966

#### Cable inlet

Pos.	Cable type Description/Kit No	4 x 1.5 mm <sup>2</sup>	7 x 1.5 mm <sup>2</sup>	9 x 1.5 mm <sup>2</sup>
		96494649	96494650	95113752
168	Cable inlet	1	1	1
180	Cable clamp	1	1	1
181a	Screw	2	3	3
198	Rubber seal	1	1	-

#### Cable inlet gasket

Pos.	Cable type Description/Kit No	4 x 1.5 mm <sup>2</sup>	7 x 1.5 mm <sup>2</sup>	9 x 1.5 mm <sup>2</sup>
		Not available	96253077	96066568
198	Rubber seal	-	1	1

#### Moisture switch

Pos.	Description/kit No	96256056
520	Moisture switch	1
-	Adjusting gauge	1
-	Connector set (6 pcs)	1

**Note:** Two moisture switches are used for explosion-proof pumps.

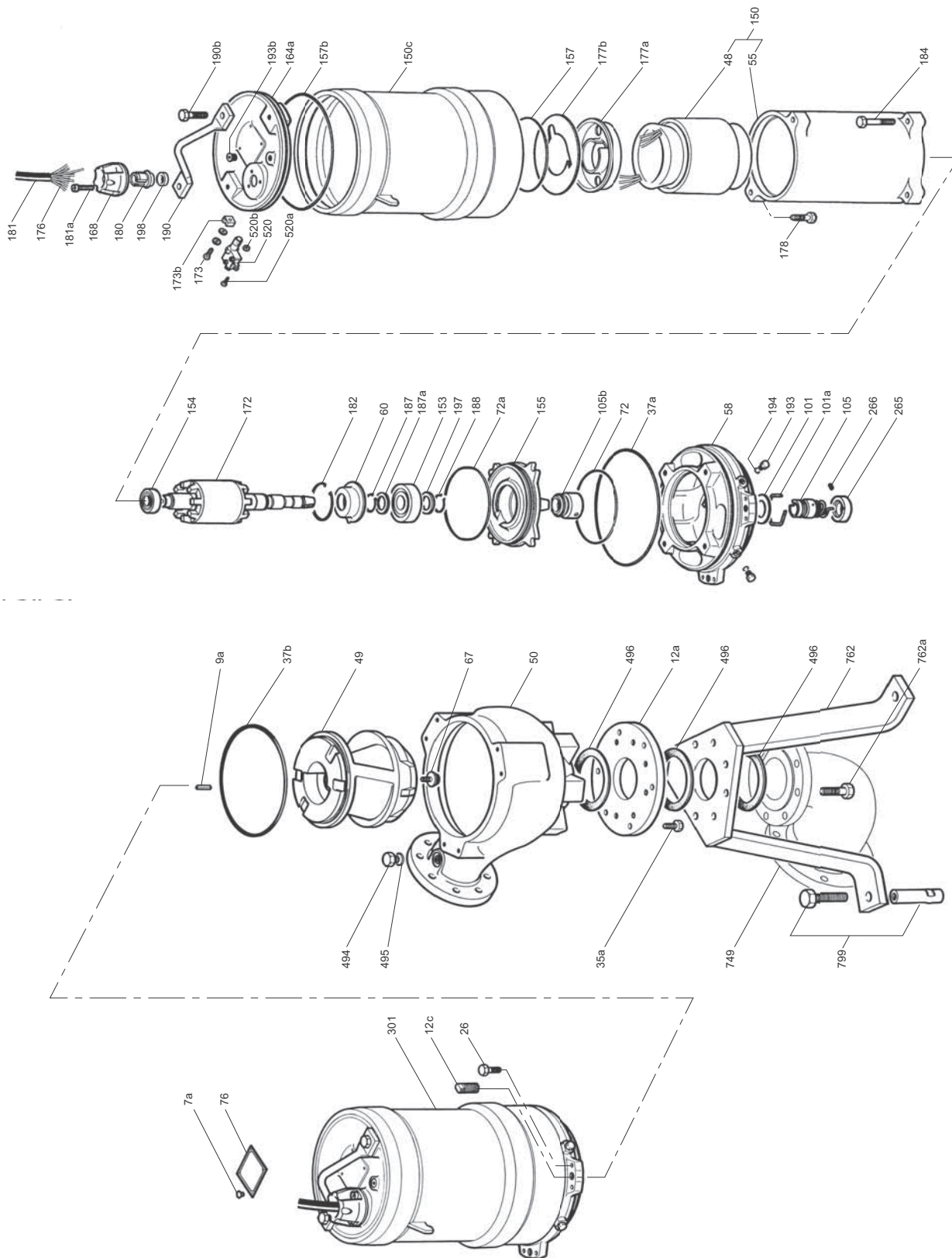
#### O-ring

Pos.	Range Description/kit No	34, 34X	42, 42X
		96255888	96255889
37b	O-ring 219.3 x 5.7	1	-
	269.3 x 5.7	-	1
72	O-ring 159.3 x 5.7	1	-
	259.3 x 5.7	-	1
72a	O-ring 149.3 x 5.7	1	-
	269.3 x 5.7	-	1
100	O-ring 16.3 x 2.4	1	1
	10.3 x 2.4	-	1
109	O-ring 59.5 x 3.0	1	-
	59.2 x 3.0	-	1
157	O-ring 114.5 x 3.0	1	-
	129.3 x 5.7	1	-
	149.3 x 5.7	-	1
	159.3 x 5.7	-	1
194	O-ring 16.3 x 2.4	-	2
	10.3 x 2.4	3	2
	8.3 x 2.4	-	2
495	O-ring 16.3 x 2.4	1	1

#### O-ring for oil/inspection plugs

Pos.	Description Kit No	M8	M10	3/4"
		96060537	96060538	96467951
194	O-ring	12	12	12

Ranges 34 and 42



## Range 46

### 50/60 Hz

#### Cable

Pos.	Description/Kit No	Cable length			
		10 m	15 m	25 m	50 m
181	9 x 1.5 mm <sup>2</sup>	96307963	96307964	96307965	96307966
	7 x 6 + 2 x 2.5 mm <sup>2</sup>	96307971	96307972	96307973	96307974

#### Cable inlet

Pos.	Cable type	7 x 6 mm <sup>2</sup> +	9 x
		2 x 2.5 mm <sup>2</sup>	1.5 mm <sup>2</sup>
Description/kit No		96294858	95113752
168	Cable entry	1	1
180	Cable clamp	1	1
181a	Screw	3	3
248a	Bolt	-	-

#### Cable inlet gasket

Pos.	Cable type	7 x 6 mm <sup>2</sup> +	9 x 1.5 mm <sup>2</sup>
		2 x 2.5 mm <sup>2</sup>	
Description/Kit No		96066567	96066568
198	Rubber seal	1	1

#### Bearing

Pos.	Description/Kit No	96494647
153	Ball bearing	1
154	Ball bearing	1
197	Washer	1
188	Retaining ring	1

#### Moisture switch

Pos.	Description/kit No	96256056
520	Moisture switch	1
-	Adjusting gauge	1
-	Connector set (6 pcs)	1

Note: Two moisture switches are used for explosion-proof pumps.

#### O-ring

Pos.	Description/kit No	96494640
37b	O-ring	259.3 x 5.7
72	O-ring	239.3 x 5.7
72a	O-ring	208.3 x 5.7
157	O-ring	129.3 x 5.7
194	O-ring	8.3 x 2.4
495	O-ring	16.3 x 2.4
500	O-ring	64.5 x 3.0

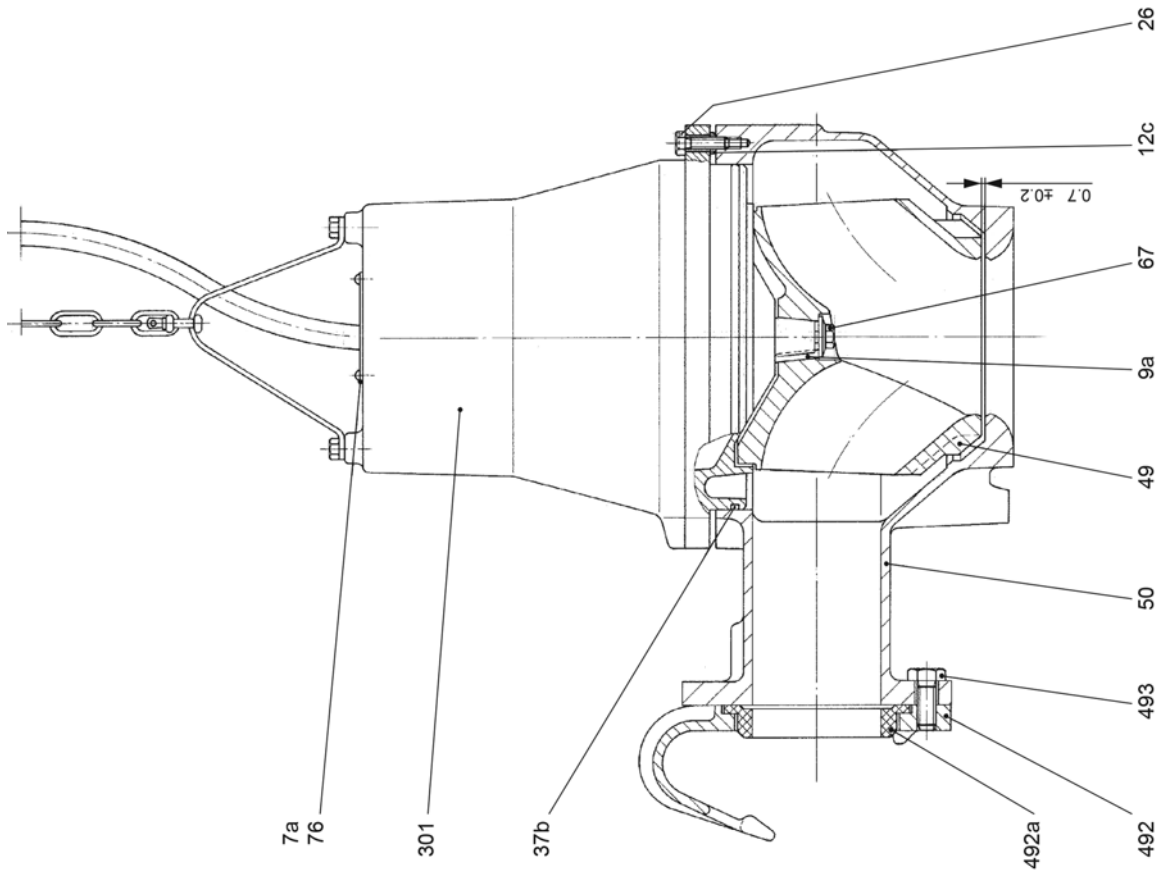
#### O-ring for oil/inspection plugs

Pos.	Description/Kit No	M8	M10
		96060537	96060538
194	O-ring	12	12

#### Shaft seal

Pos.	Description/Kit No	96567331
105	Shaft seal	1

Range 46



TM02 5957 2917

TM02 5958 2917

## Ranges 50 and 54

**Note:** Pumps manufactured on 2008 can belong to an old or to a new generation, contact Grundfos for correct kit.

### Cable

Pos.	Description	Range		Pumps manufactured 2008 and before				Pumps manufactured 2008 and after			
		50	54	Cable length				Cable length			
				10 m	15 m	25 m	50 m	10 m	15 m	25 m	50 m
181	7 x 1.5 mm <sup>2</sup>	•		-	-	-	-	97513140	97513155	97513170	97513185
	7 x 2.5 mm <sup>2</sup>	•		96307959	96307960	96307961	96307962	97513143	97513158	97513173	97513188
	9 x 1.5 mm <sup>2</sup>	•		96307963	96307964	96307965	96307966	-	-	-	-
	9 x 2.5 mm <sup>2</sup>	•	•	96307967	96307968	96307969	96307970	-	-	-	-
	4 x 6 mm <sup>2</sup>	•		-	-	-	-	97513144	97513159	97513174	97513189
	4 x 16 mm <sup>2</sup>	•		96307983	96307984	96307985	96307986	-	-	-	-
	5 x 10 mm <sup>2</sup>	•		96307975	96307976	96307977	96307978	-	-	-	-
7 x 6 mm <sup>2</sup> + 2 x 2.5 mm <sup>2</sup>	•	•	96307971	96307972	96307973	96307974	-	-	-	-	

### Cable inlet - Range 50

Pos.	Production year	2008 and before				2008 and after						
		Pump type	Standard		Ex	Standard		Ex				
			7 x 6 mm <sup>2</sup> + 2 x 2.5 mm <sup>2</sup>	9 x 1.5 mm <sup>2</sup>		9 x 2.5 mm <sup>2</sup>	7 x 2.5 mm <sup>2</sup>	7 x 1.5 mm <sup>2</sup>	7 x 1.5 mm <sup>2</sup>	7 x 2.5 mm <sup>2</sup>	7 x 2.5 mm <sup>2</sup>	
		Description/kit No	96294858	95113752	95113754	96294843	96842589	96842590	96842603	96842614	96842604	96842613
168	Cable entry	1	1	1	2	1	1	1	1	1	1	1
180	Cable clamp	1	1	1	2	1	1	2	2	2	2	2
181a	Screw	3	3	3	6	3	3	3	3	3	3	3
248a	Bolt	-	-	-	-	-	-	2	2	2	2	2

### Cable inlet - Range 54

Pos.	Production year	2008 and before			2008 and after			
		Pump type	Standard	Ex - U	Standard	Standard (EN 1.4408)	Ex	Ex (EN 1.4408)
		Description/kit No	96294858	96294843	96842591	96842600	96842605	6842615
168	Cable entry	1	2	1	1	1	1	
180	Cable clamp	1	2	1	1	2	2	
181a	Screw	3	6	3	3	3	3	
248a	Bolt	-	-	-	-	2	2	

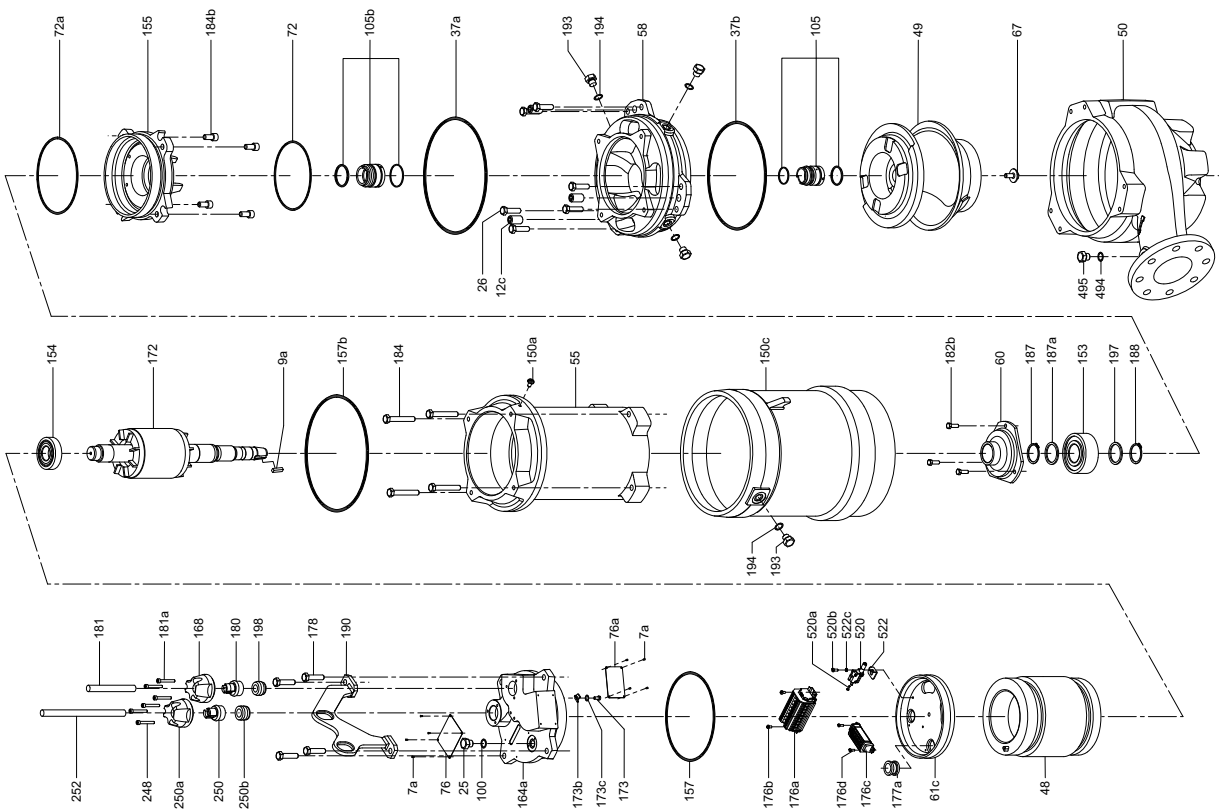
### Cable inlet gasket - Range 50

Pos.	Production year	2008 and before					2008 and after			
		Pump type	Standard	Ex	Ex - U	Standard/Ex	Standard/Ex			
								5 x 10 mm <sup>2</sup>	9 x 1.5 mm <sup>2</sup>	9 x 2.5 mm <sup>2</sup>
		Description/kit No	96294867	96294868	96294870	96294859	96294869	96294860	96842631	96842632
198	Rubber seal	2	1	1	2	1	2	1	1	

### Cable inlet gasket - Range 54

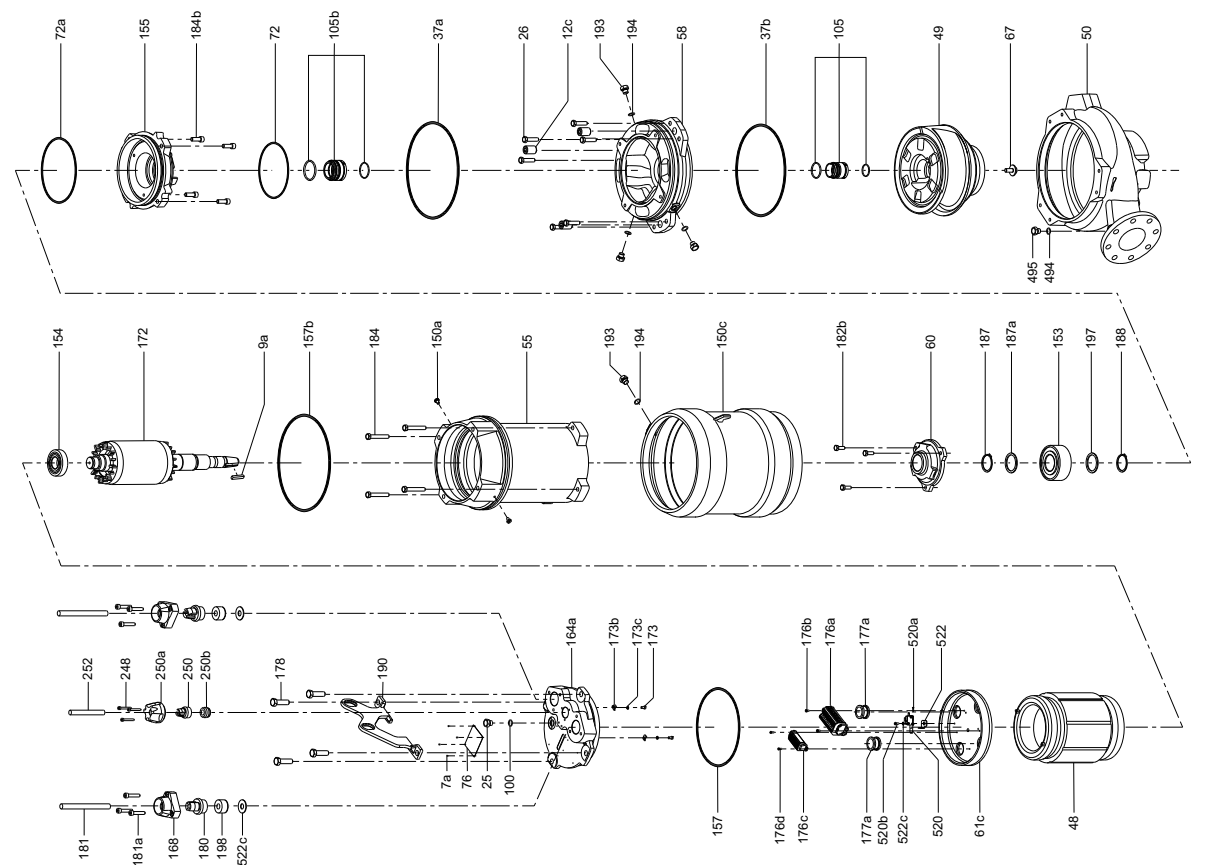
Pos.	Production year	2008 and before		2008 and after	
		Pump type	Standard	Ex	Standard / Ex
		Description/kit No	96294867	96294859	96842633
198	Rubber seal	2	2	1	

Range 50 - Non-explosion-proof pump



TM07 0936 1218

Range 54 - Non-explosion-proof pump



TM07 0938 2118

**Ex approved cable entry**

Manufactured 6.9.2017 and forward.

Pos.	Cable ID Description/Kit No	36-1	36-2	46-1	46-2	46-3	46-4
		99174565	99174566	99174567	99174568	99174569	99174570
7a	Rivet	2	2	2	2	2	2
76b	Approval plate	1	1	1	1	1	1
168	Cable entry	1	1	1	1	1	1
180	Cable clamp	2	2	1	1	1	1
180a	Bolt	2	2	-	-	-	-
	Screw	-	-	2	2	2	2
181a	Screw	3	3	3	3	3	3
185	Washer	1	1	-	2	3	5
198	Rubber seal	1	1	1	1	1	1

**Bearing**

Pos.	Range Description/Kit No	50	54
		96494648	96294836
153	Angular bearing	1	1
154	Ball bearing	1	1
182	Circlip*	-	1
187	Circlip	1	1
187a	Washer	1	1
188	Circlip	-	1
197	Washer	-	1

\* For pumps manufactured 2004 and before.

**Moisture switch**

Pos.	Description/kit No	96256056
520	Moisture switch	1
-	Adjusting gauge	1
-	Connector set (6 pcs)	1

**Note:** Two moisture switches are used for explosion-proof pumps.**Water-in-oil sensor**

Description/kit No	96294840	96295122	96294841
Water-in-oil sensor	10 m	1	-
	25 m	-	1
	50 m	-	1
Cable entry	1	1	1
Rubber seal	1	1	1
Right-angle connector	1	1	1
Protective hose (8 m)	1	1	1
Fixing piece	2	2	2
Band	5	5	5
Band lock	2	2	2
O-ring 16.3 x 2.4	1	1	1
Glue (shrinkable)	1	1	1

**Water-in-oil sensor seal**

Description/kit No	96294839
Rubber seal	1

**Primary shaft seal**

Pos.	Production year		
	2008 and after		
	Range	50	54
Description		96567348	96567350
105	Primary shaft seal	1	1

**Secondary shaft seal**

Pos.	Production year		
	2008 and after		
	Range	50	54
Description/Kit No		96567338	96567341
105b	Secondary shaft seal	1	1

**O-rings for oil/inspection plugs**

Pos.	Description/Kit No	96467951
194	O-ring	16.3 x 2.4

**O-ring (pump and motor)**

Pos.	Range Description/kit No	50	54
		96494641	96294837
37a	O-ring	279.3 x 5.7	1
		309.3 x 5.7	-
37b	O-ring	269.3 x 5.7	1
		309.3 x 5.7	-
72	O-ring	184.3 x 5.7	1
		219.3 x 5.7	-
72a	O-ring	194.3 x 5.7	1
		229.3 x 5.7	-
100	O-ring	16.3 x 2.4	-
157	O-ring	194.3 x 5.7	1
		229.3 x 5.7	-
		249.3 x 5.7	-
157b	O-ring	279.3 x 5.7	1
		299.3 x 5.7	-
165	O-ring	149.3 x 5.7	-
194	O-ring	16.3 x 2.4	3
495	O-ring	16.3 x 2.4	1
194	O-ring	10.3 x 2.4	1
-	O-ring	10.1 x 1.6	1

**Primary shaft seal**

Pos.	Range Description	50	54
		96567348	96567350
105	Primary shaft seal	1	1

**Secondary shaft seal**

Pos.	Range Description/Kit No	50	54
		96567338	96567341
105b	Secondary shaft seal	1	1

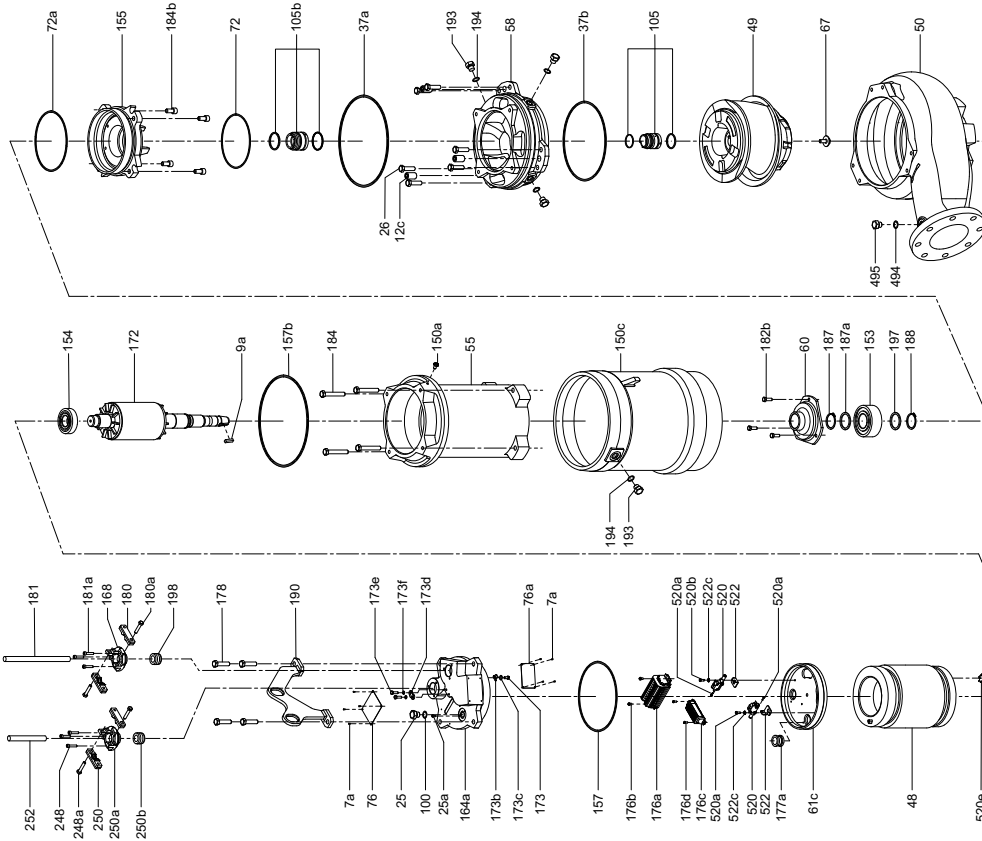
**Lifting bracket - Range 50**

Pos.	Material Description/kit No	Galvanized steel	Stainless steel
		96841674	96841675
190	Lifting bracket	1	1
190b	Screw	4	4

**Lifting bracket - Range 54**

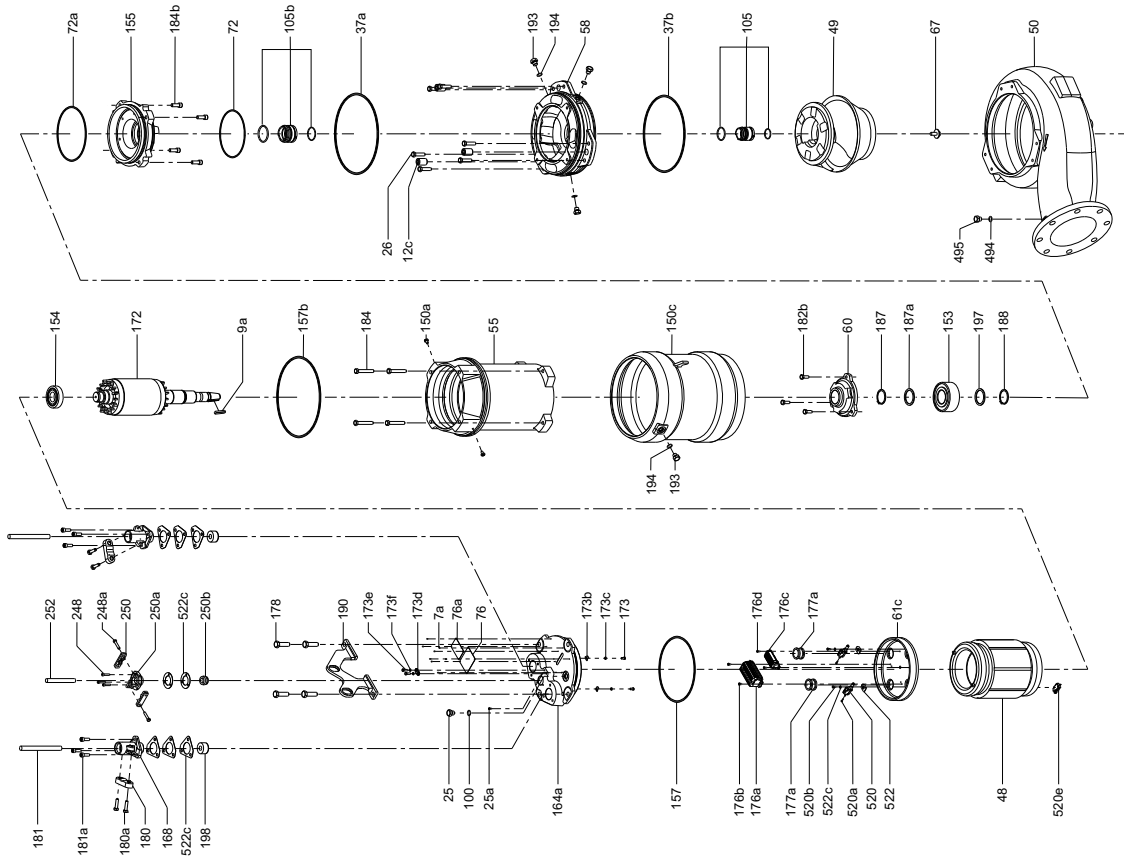
Pos.	Material Description/kit No	Galvanized steel	Stainless steel
		96841580	96838471
190	Lifting bracket	1	1
190b	Screw	4	4

Range 50 - Explosion-proof pump



TM07 0937 1218

Range 54 - Explosion-proof pump



TM07 0939 2318



## Ranges 58 and 62

**Note:** Pumps manufactured on 2008 can belong to an old or a new generation, contact Grundfos for correct kit.

### Cable

Pos.	Description	Range	Pumps manufactured 2008 and before				Pumps manufactured 2008 and after*			
			Cable length				Cable length			
			58	62	10 m (33 ft)	15 m (50 ft)	25 m (82 ft)	50 m (165 ft)	10 m (33 ft)	15 m (50 ft)
181	4 x 6 mm <sup>2</sup>	•	-	-	-	-	97513145	97513160	97513175	97513190
	4 x 10 mm <sup>2</sup>	•	-	-	-	-	97513147	97513162	97513177	97513192
	4 x 16 mm <sup>2</sup>	•	96307983	96307984	96307985	96307986	97513149	97513164	97513179	97513194

\* Cable comes with factory fitted cable ends (cable shoes).

### Cable inlet - Range 58

Pos.	Production year	Pump type	2008 and before		2008 and after							
			Cable type	Description/kit No	Standard pumps			Ex pumps				
					Standard	Ex	4 x 6 mm <sup>2</sup>	4 x 10 mm <sup>2</sup>	4 x 16 mm <sup>2</sup>	4 x 6 mm <sup>2</sup>	4 x 10 mm <sup>2</sup>	4 x 16 mm <sup>2</sup>
			7 x 6 mm <sup>2</sup> + 2 x 2.5 mm <sup>2</sup>	7 x 6 mm <sup>2</sup> + 2 x 2.5 mm <sup>2</sup>	96294857	96294843	96842591	96842592	96842593	96842605	96842606	96842607
26	Screw (M10 x 40)	-	-	-	-	-	-	-	-	2	2	2
168	Cable entry	2	2	1	1	1	1	1	1	1	1	1
181a	Screw (M6 x 25)	8	6	3	3	3	3	3	3	3	3	3
180	Cable clamp	4	2	1	1	1	1	1	1	1	1	1
180a	Screw (M8 x 35)	4	-	-	-	-	-	-	-	-	-	-
750	Lock nut	4	-	-	-	-	-	-	-	-	-	-
751	Washer	4	-	-	-	-	-	-	-	-	-	-
752	Screw (M6 x 30)	4	-	-	-	-	-	-	-	-	-	-

### Cable inlet - Range 62

Pos.	Production year	Pump type	2008 and before		2008 and after							
			Cable type	Description/kit No	Standard pumps			Ex pumps				
					Standard	Ex	4 x 6 mm <sup>2</sup>	4 x 10 mm <sup>2</sup>	4 x 16 mm <sup>2</sup>	4 x 6 mm <sup>2</sup>	4 x 10 mm <sup>2</sup>	4 x 16 mm <sup>2</sup>
			4 x 16 mm <sup>2</sup>	4 x 16 mm <sup>2</sup>	96294842	96294843	96842591	96842592	96842593	96842605	96842606	96842607
26	Screw (M10 x 40)	-	-	-	-	-	-	-	-	2	2	2
168	Cable entry	2	2	1	1	1	1	1	1	1	1	1
181a	Screw	6	6	3	3	3	3	3	3	3	3	3
180	Cable clamp	2	2	1	1	1	1	1	1	1	1	1

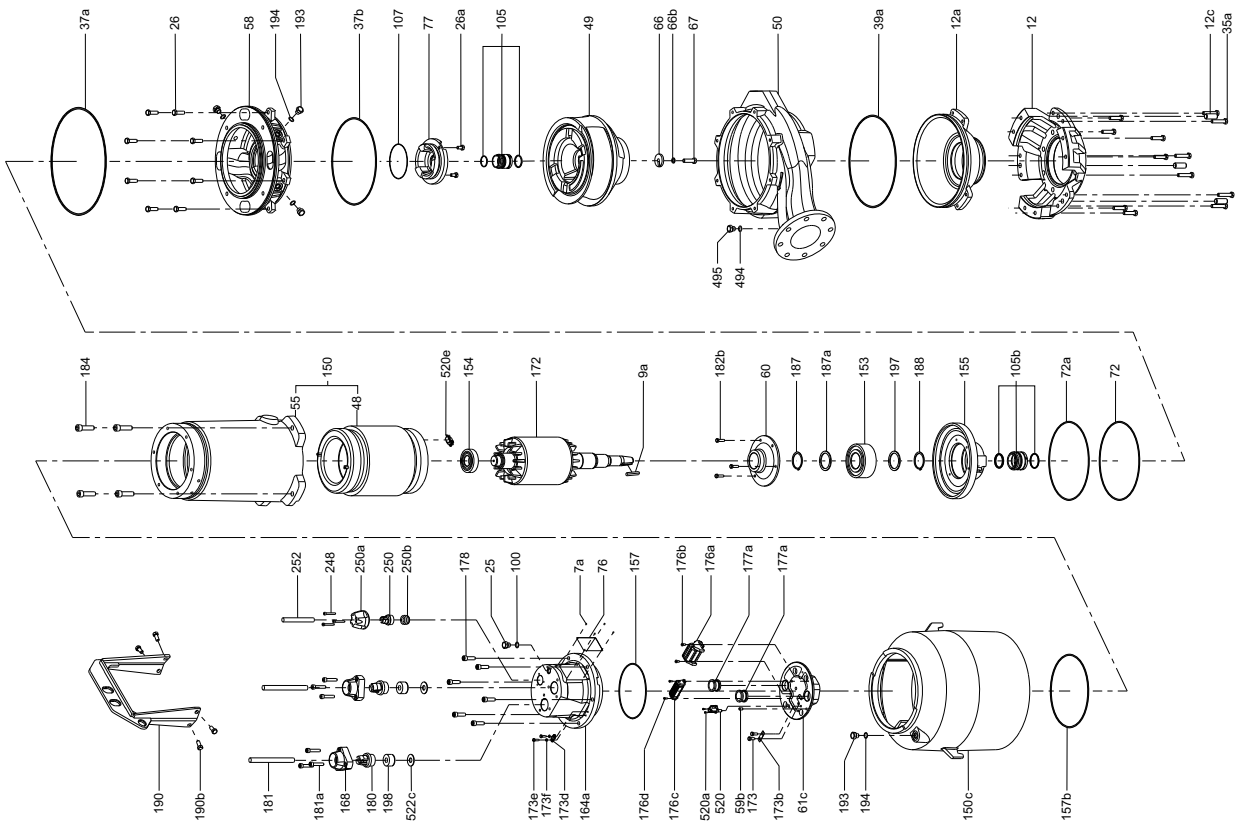
### Cable inlet gasket- Range 58

Pos.	Production year	Pump type	2008 or before		2008 and after		
			Cable type	Description/kit No	Standard	Ex	Standard / Ex
					5 x 10 mm <sup>2</sup>	5 x 10 mm <sup>2</sup>	4 x 6 mm <sup>2</sup>
			96294867	96294859	96842633		
198	Rubber seal	2	2	2	1		

### Cable inlet gasket - Range 62

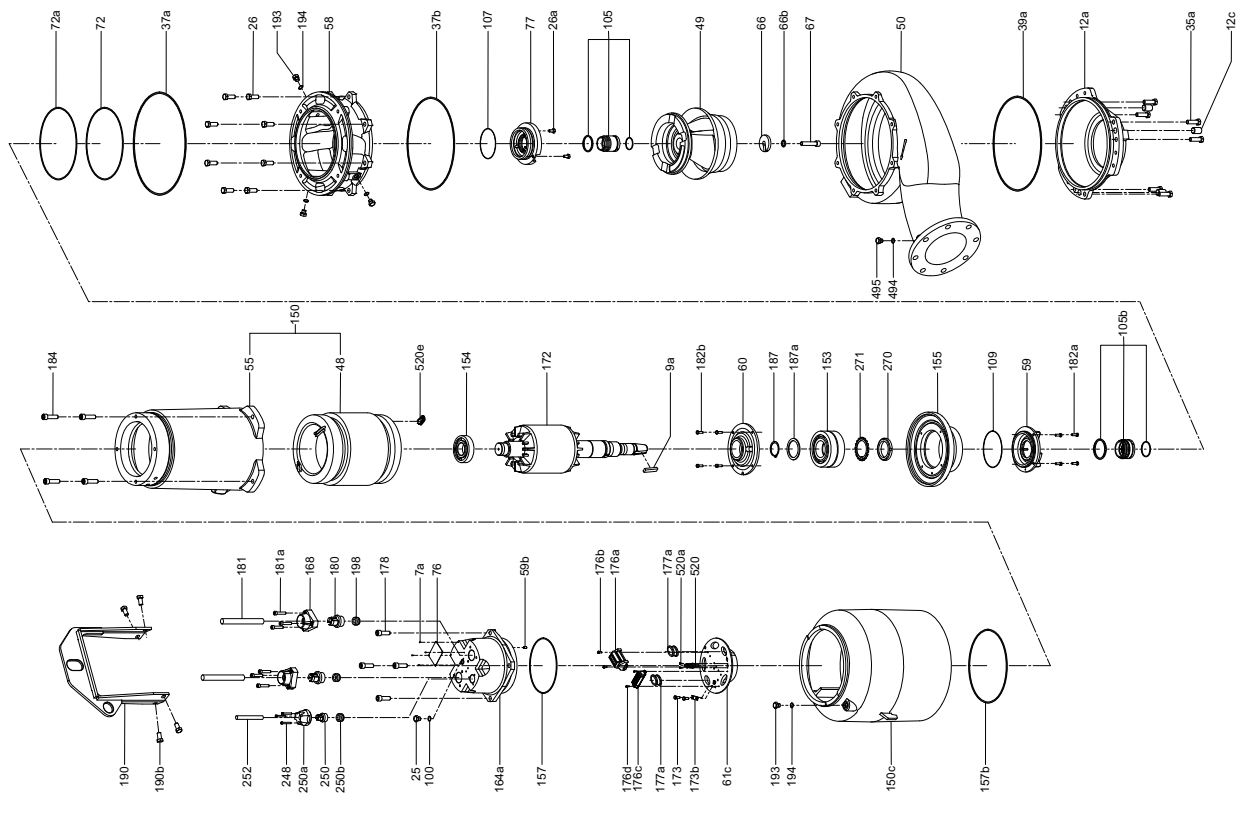
Pos.	Production year	Pump type	2008 or before		2008 and after				
			Cable type	Description/kit No	Standard / Ex				
					Standard	Ex	4 x 6 mm <sup>2</sup>	4 x 10 mm <sup>2</sup>	4 x 16 mm <sup>2</sup>
			5 x 10 mm <sup>2</sup>	7 x 6 mm <sup>2</sup> + 2 x 2.5 mm <sup>2</sup>	96294861	96294859	96842633	96842634	96842635
198	Rubber seal	2	2	2	1	1	1		

Range 58 - Non-explosion-proof pump



TM07 0940 1718

Range 62- Non-explosion-proof pump



TM07 0942 2118

## Control cable

Pos.	Production year	2008 and before				2008 and after				
		Description	Cable length				Cable length			
			10 m (33 ft)	15 m (50 ft)	25 m (82 ft)	50 m (165 ft)	10 m (33 ft)	15 m (50 ft)	25 m (82 ft)	50 m (165 ft)
252	7 x 1.5 mm <sup>2</sup>	96307955	96307956	96307957	96307958	97513142	97513157	97513172	97513187	

## Control cable inlet

Pos.	Pump type	Standard	Ex
		Cable type	
		7 x 1.5 mm <sup>2</sup>	
Description/kit No		96842589	96842603
248	Screw (M6 x 45)	3	2
248a	Bolt (M8 x 40)	-	2
250	Cable clamp	1	2
250a	Cable entry	1	1

## Control cable inlet gasket

## Bearing

Pos.	Description	Kit No
250b	Rubber seal	95114127

Pos.	Range	58	62
		Description/kit No	96294833
153	Ball bearing (lower)	1	2
154	Ball bearing (upper)	1	1
187	Circlip	1	1
187a	Washer	1	1
188	Circlip	1	-
197	Washer*	1	-
270	Nut	-	1
271	Lock washer	-	1

## Moisture switch

Pos.	Description/kit No	96256056
520	Moisture switch	1
-	Adjusting gauge	1
-	Connector set (6 pcs)	1

Note: Two moisture switches are used for explosion-proof pumps.

## Water-in-oil sensor

Description/kit No	96294840	96295122	96294841
Water-in-oil sensor	10 m	1	-
	25 m	-	1
	50 m	-	1
Cable entry	1	1	1
Rubber seal	1	1	1
Right-angle connector	1	1	1
Protective hose (8 m)	1	1	1
Fixing piece	2	2	2
Band	5	5	5
Band lock	2	2	2
O-ring 16.3 x 2.4	1	1	1
Glue (shrinkable)	1	1	1

## Lifting bracket

Pos.	Range	58	62
		Description/kit No	99466458
190	Lifting bracket	1	1
190b	Screw	4	4
190e	Plug	1	1

## Water-in-oil sensor seal

Description/kit No	96294839
Rubber seal	1

## O-ring, motors

Pos.	Range	58		62	
		Description/kit No	96294834	Description/kit No	96294831
37a	O-ring	399.3 x 5.7	1	-	-
		439.3 x 5.7	-	-	1
72	O-ring	279.3 x 5.7	1	-	-
		309.3 x 5.7	-	-	1
72a	O-ring	279.3 x 5.7	1	-	-
		319.3 x 5.7	-	-	1
100	O-ring	16.3 x 2.4	1	1	1
107	O-ring	124.3 x 5.7	1	-	-
		129.3 x 5.7	-	-	1
109	O-ring	149.3 x 5.7	-	-	1
		209.3 x 5.7	1	-	-
157	O-ring	229.3 x 5.7	-	-	1
		279.3 x 5.7	1	-	-
157b	O-ring	299.3 x 5.7	-	-	1
		319.3 x 5.7	-	-	1
194	O-ring	16.3 x 2.4	4	4	4

## O-ring, pumps

Pos.	Range	58		62	
		Description/kit No	96294835	Description/kit No	96294832
37	O-ring	439.3 x 5.7	-	-	1
		339.3 x 5.7	1	1	1
37b	O-ring	389.3 x 5.7	-	-	1
		399.3 x 5.7	-	-	1
37d	O-ring	499.3 x 5.7	-	-	1
		169.3 x 5.7	1	1	1
39	O-ring	209.3 x 5.7	1	-	-
		239.3 x 5.7	1	-	-
39a	O-ring	249.3 x 5.7	-	-	1
		269.3 x 5.7	1	1	1
39a	O-ring	299.3 x 5.7	-	-	1
		319.3 x 5.7	-	-	1
39a	O-ring	309.3 x 5.7	-	-	1
		339.3 x 5.7	1	-	-
39a	O-ring	389.3 x 5.7	-	-	1
		399.3 x 5.7	-	-	1
194	O-ring	439.3 x 5.7	-	-	1
		16.3 x 2.4	1	1	1

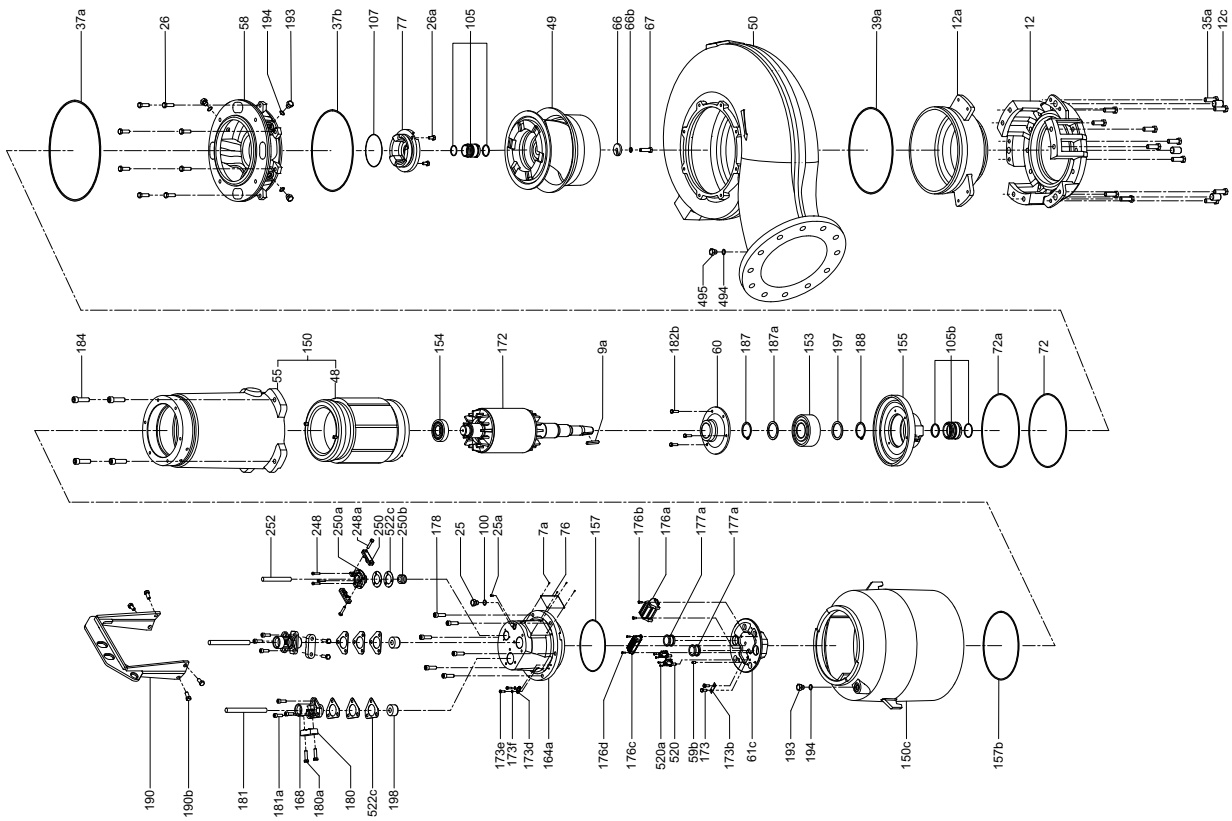
## Secondary shaft seal

Pos.	Production year	2008 and before	
		58	62
		Description	Kit No
105b	Secondary shaft seal	96567341	96567343

## Primary shaft seal

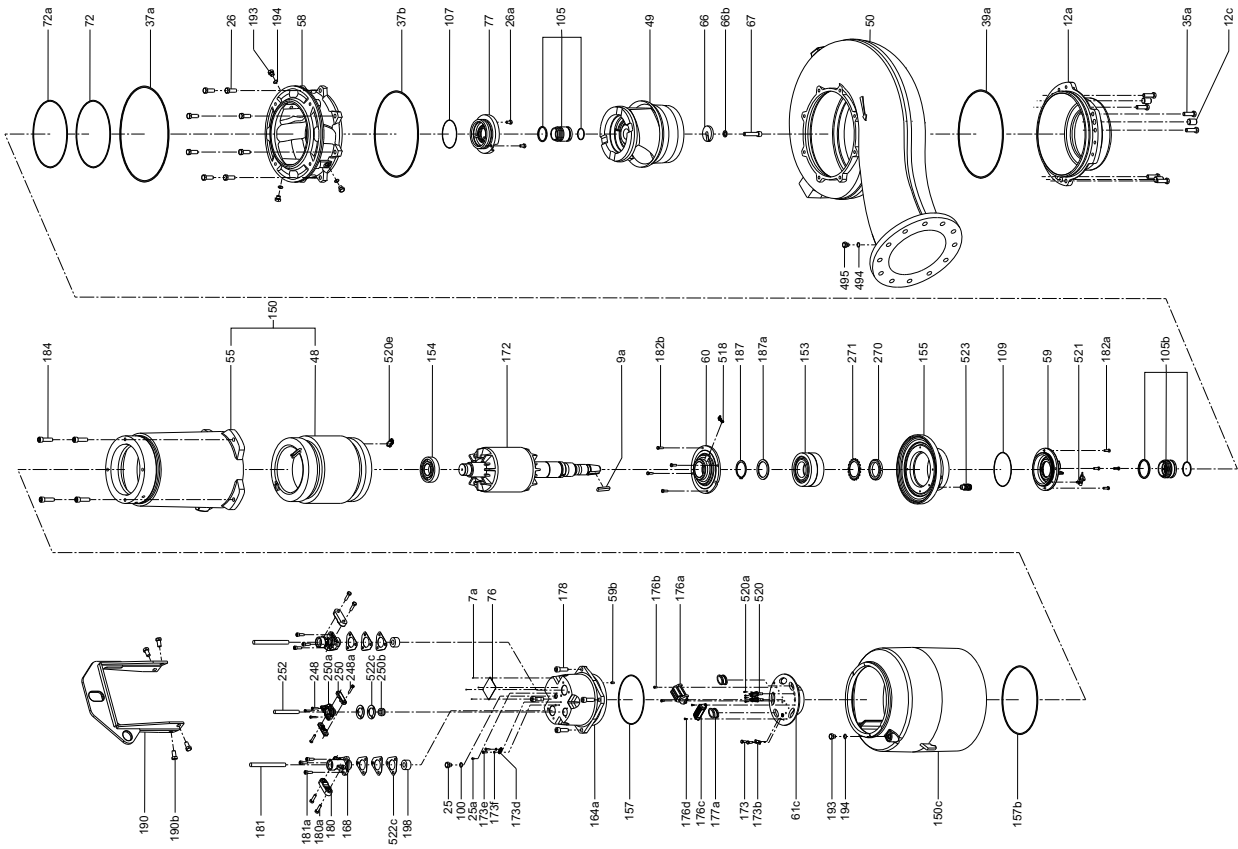
Pos.	Production year	2008 and before	
		58	62
		Description	Kit No
105	Primary shaft seal	96567350	96567355

Range 58 - Explosion-proof pump



TM07 0941 1218

Range 62 - Explosion-proof pump



TM07 0943 1418

## Ranges 66 and 70

**Note:** Pumps manufactured on 2008 can belong to an old or a new generation, contact Grundfos for correct kit.

### Cable

Pos.	Description	Range	Pumps manufactured 2008 and before				Pumps manufactured 2008 and after*			
			Cable length				Cable length			
			66	70	10 m (33 ft)	15 m (50 ft)	25 m (82 ft)	50 m (165 ft)	10 m (33 ft)	15 m (50 ft)
181	4 x 10 mm <sup>2</sup>	•	-	-	-	-	97513148	97513163	97513178	97513193
	4 x 16 mm <sup>2</sup>	•	96307983	97513165	96307985	96307986	97513150	97513165	97513180	97513195
	4 x 25 mm <sup>2</sup>	• •	96307987	96307988	96307989	96307990	97913151	97513166	97513181	97513196
	4 x 35 mm <sup>2</sup>	•	96307991	96307992	96307993	96307994	97513152	97513167	97613182	97513197
	4 x 50 mm <sup>2</sup>	•	96307995	96307996	96307997	96307998	97513153	97513168	97513183	97513198
	4 x 70 mm <sup>2</sup>	•	96307999	96308000	96308001	96308002	97513154	97513169	97513184	97513199

\* Cable comes with factory fitted cable ends (cable shoes).

### Power cable inlet - Range 66

Pos.	Pump type	Cable type	Standard			Ex
			4 x 10 mm <sup>2</sup>	4 x 16 mm <sup>2</sup>	4 x 25 mm <sup>2</sup>	4 x 25 mm <sup>2</sup>
			Description/Kit No	96842592	96842593	96842594
168	Cable entry		1	1	1	1
181a	Screw		3	3	3	3
180	Cable clamp		1	1	1	1
180a	Screw		-	-	2	2

### Power cable inlet - Range 70

Pos.	Pump type	Cable type	Standard				Ex			
			4 x 25 mm <sup>2</sup>	4 x 35 mm <sup>2</sup>	4 x 50 mm <sup>2</sup>	4 x 70 mm <sup>2</sup>	4 x 25 mm <sup>2</sup>	4 x 35 mm <sup>2</sup>	4 x 50 mm <sup>2</sup>	4 x 70 mm <sup>2</sup>
			Description/Kit No	96842594	96842595	96842596	96842597	96842608	96842609	96842596
168	Cable entry		1	1	1	1	1	1	1	
181a	Screw		3	3	3	3	3	3	3	
180	Cable clamp		1	1	1	1	1	1	1	
180a	Screw		2	2	2	2	2	2	2	

### Cable inlet, range 70

Pos.	Description/kit No	Standard pumps				Ex pumps				
		4 x 25 mm <sup>2</sup>	4 x 50 mm <sup>2</sup>	4 x 70 mm <sup>2</sup>	4 x 95 mm <sup>2</sup>	4 x 25 mm <sup>2</sup>	4 x 35 mm <sup>2</sup>	4 x 50 mm <sup>2</sup>	4 x 70 mm <sup>2</sup>	4 x 95 mm <sup>2</sup>
		96294844	96294844	96294853	-	96294846	96294848	96294851	96294854	96294856
50 Hz					-	96294846	96294848	96294851	96294854	96294856
60 Hz	96294844	96294844	96294853	-	96294847	96294849	96294852	-	-	
60 Hz - U				96294855	-	-	-	-	-	

### Content

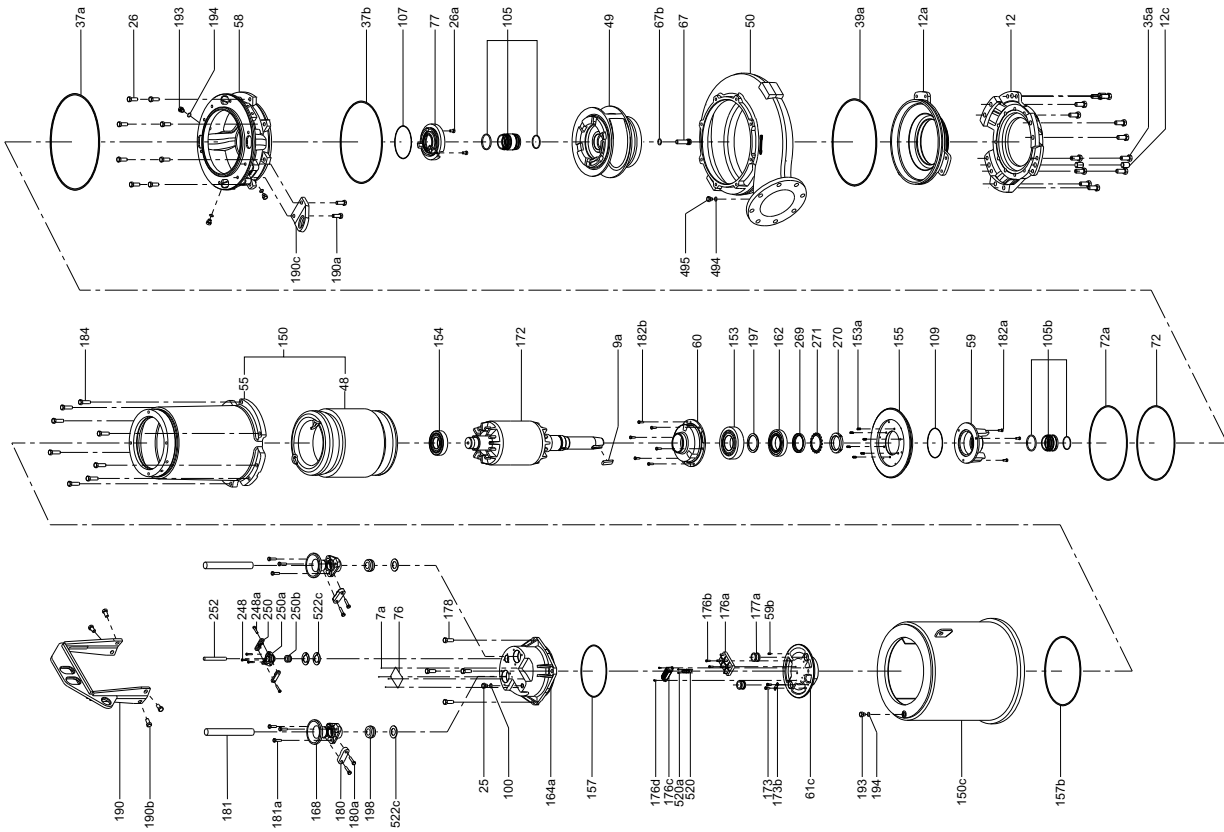
Pos.	Description	Quantity
168	Cable entry	2
181a	Screw	6
180	Cable clamp	2

### Ex approved cable entry

Manufactured 6.9.2017 and forward.

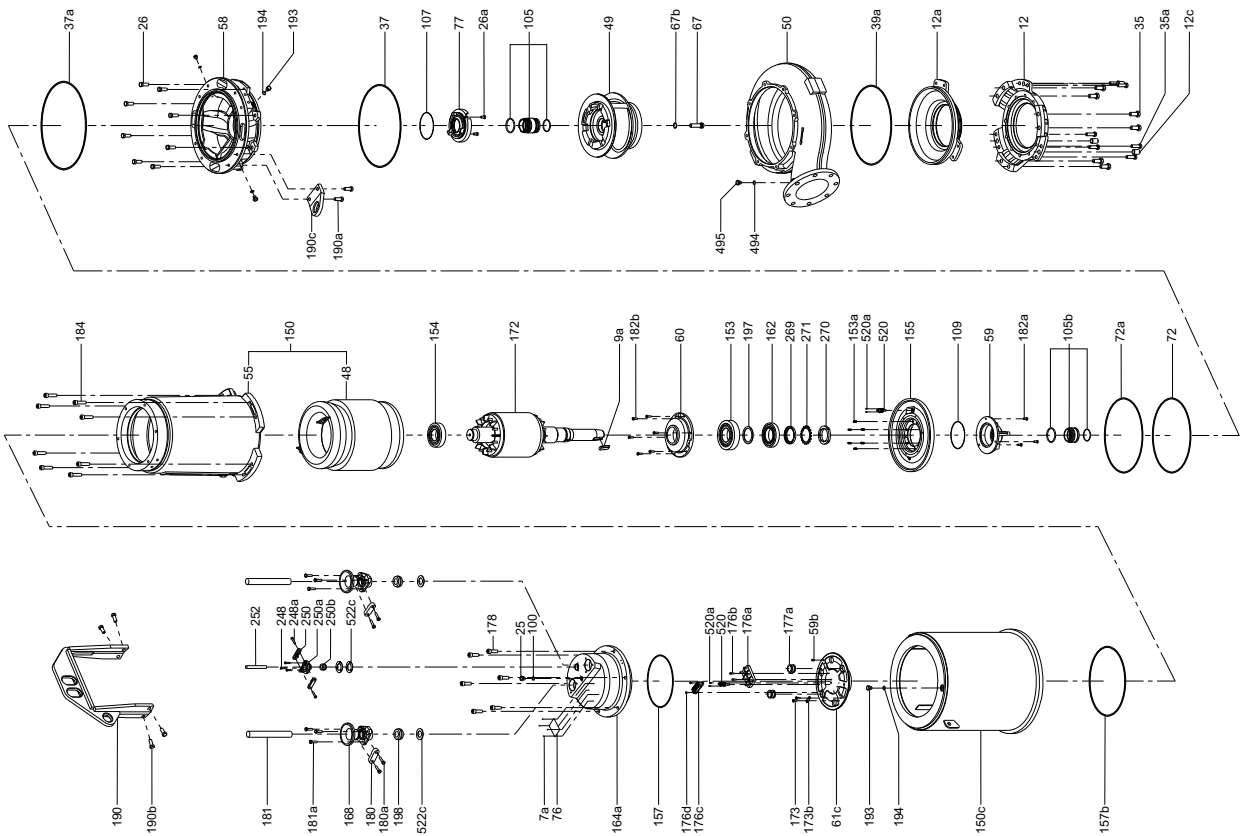
Pos.	Cable ID	36-1	36-2	46-1	46-2	46-3	46-4	65-1	65-2
		Description/Kit No	99174565	99174566	99174567	99174568	99174569	99174570	99174571
7a	Rivet	2	2	2	2	2	2	2	2
76b	Approval plate	1	1	1	1	1	1	1	1
168	Cable entry	1	1	1	1	1	1	1	1
180	Cable clamp	2	2	1	1	1	1	1	1
180a	Bolt	2	2	-	-	-	-	-	-
	Screw	-	-	2	2	2	2	2	2
181a	Screw	3	3	3	3	3	3	3	3
185	Washer	1	1	-	2	3	5	-	3
198	Rubber seal	1	1	1	1	1	1	1	1

Range 66- Non-explosion-proof pump



TM07 0944 2518

Range 70 - Non-explosion-proof pump



TM07 0946 4818

## Cable inlet gasket - Range 66

Pos.	Pump type	Standard pumps			Ex	
	Cable type	4 x 10 mm <sup>2</sup>	4 x 16 mm <sup>2</sup>	4 x 25 mm <sup>2</sup>	4 x 25 mm <sup>2</sup>	4 x 35 mm <sup>2</sup>
	Description/kit No	96294861		96294862	96294863	96294864
198	Rubber seal	2	2	2	2	2

## Cable inlet gasket - Range 70

Pos.	Pump type	Standard and Ex				
	Cable type	4 x 25 mm <sup>2</sup>	4 x 35 mm <sup>2</sup>	4 x 50 mm <sup>2</sup>	4 x 70 mm <sup>2</sup>	4 x 95 mm <sup>2</sup>
	Description/kit No	96294862	96294863	96294864	96294865	96294866
198	Rubber seal	2	2	2	2	2

## Control cable

Pos.	Description	Pumps manufactured 2008 and before*				Pump manufactured 2008 and after*			
		Cable length				Cable length			
		10 m (33 ft)	15 m (50 ft)	25 m (82 ft)	50 m (165 ft)	10 m (33 ft)	15 m (50 ft)	25 m (82 ft)	50 m (165 ft)
252	3 x 2.5 mm <sup>2</sup> *	96308007	96308008	96308009	96308010	-	-	-	-
252	7 x 1.5 mm <sup>2</sup>	96307955	96307956	96307957	96307958	97513142	97513157	97513172	97513187

\* Pumps manufacture on 2008, contact Grundfos for correct kit.

## Control cable inlet

Pos.	Pump type	Standard / FM	Ex
	Cable type	7 x 1.5 mm <sup>2</sup>	
	Description/Kit No	96842589	96842603
250	Cable clamp	1	2
250a	Cable entry	1	1
248	Screw	3	3
248a	Screw	-	1

## Bearing

Pos.	Range	66	66 Ex / 70	70*
	Description/kit No	96294827	96294823	96294824
153	Ball bearing (upper)	1	1	2
153a	Spring	6	6	6
154	Ball bearing (lower)	1	1	1
162	Roller bearing	1	1	1
197	Washer**	1	1	1
269	Angular ring**	1	1	1
270	Nut	1	1	1
271	Lock washer	1	1	1

\* For following 50 Hz standard and Ex pumps:  
 - 115 kW 4-pole S hydraulics  
 - 130 kW 6-pole H, L, M, E hydraulics  
 - 160 kW 4-pole H, L, M, S hydraulics.

\*\* For pumps manufactured 2004 and before.

## Moisture switch

Pos.	Description/kit No	96256056
520	Moisture switch	1
-	Adjusting gauge	1
-	Connector set (6 pcs)	1

Note: Two moisture switches are used for explosion-proof pumps.

## Water-in-oil sensor

Description/kit No	96294840	96295122	96294841
Water-in-oil sensor	10 m	1	-
	25 m	-	1
	50 m	-	1
Cable entry	1	1	1
Rubber seal	1	1	1
Right-angle connector	1	1	1
Protective hose (8 m)	1	1	1
Fixing piece	2	2	2
Band	5	5	5
Band lock	2	2	2
O-ring 16.3 x 2.4	1	1	1
Glue (shrinkable)	1	1	1

## Water-in-oil sensor seal

Description/kit No	96294839
Rubber seal	1

## Primary shaft seal

Pos.	Production year	2008 and before		
	Range	66	70	70
	Interchangeability	- , A, B	A, B	-
	Description/Kit No	96567358	96567358	96567358
105	Primary shaft seal	1	1	1
62	O-ring 74.5 x 3.0	1	1	1

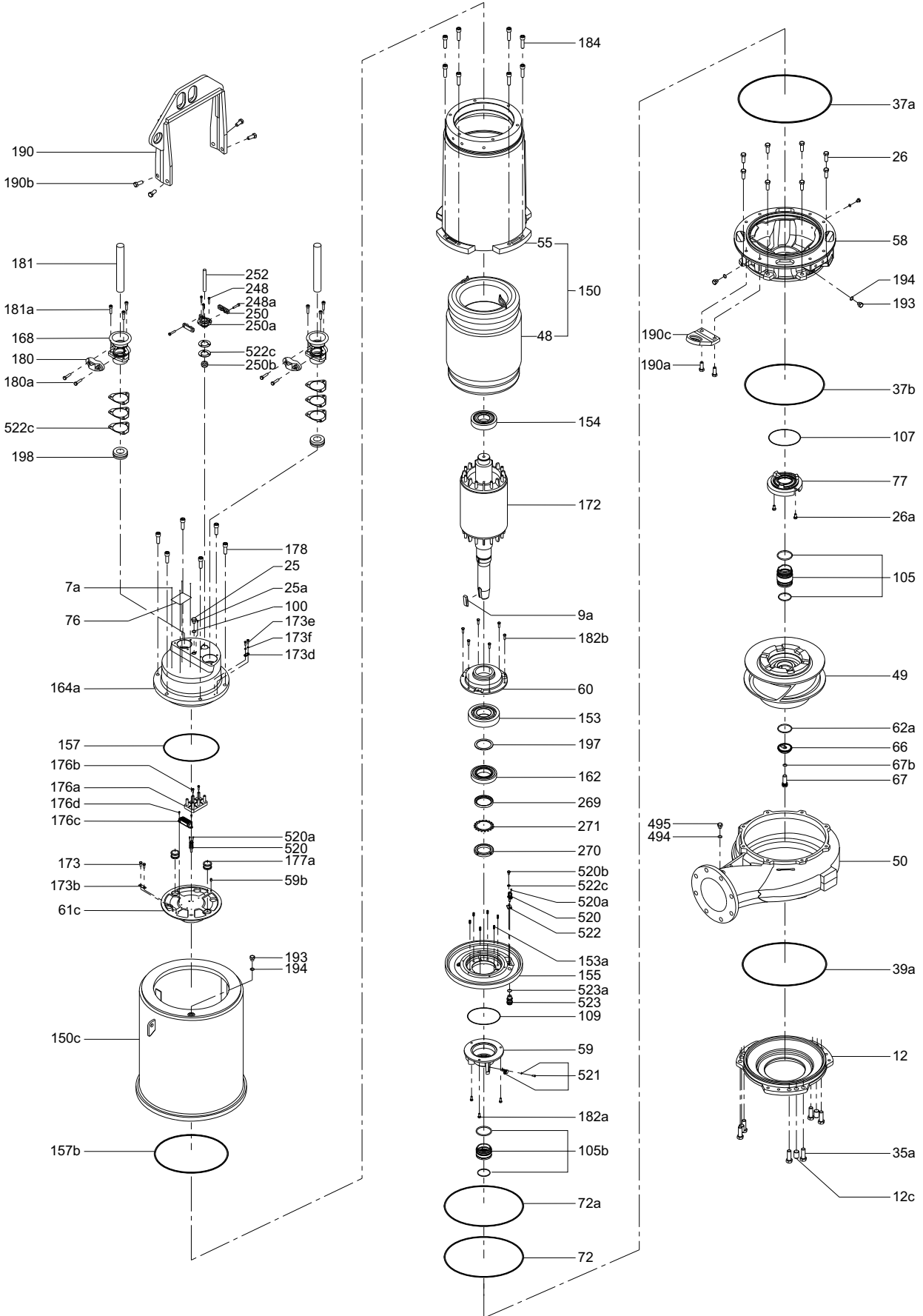
Pos.	Production year	2008 and after	
	Range	66 / 70	
	Description/Kit No	96844618	
105	Primary shaft seal	1	

## Secondary shaft seal

Pos.	Production year	2008 and before	
	Range	66	70
	Interchangeability	- , A, B	A, B
	Description/Kit No	96567343	96567343
105b	Secondary shaft seal	1	1

Pos.	Production year	2008 and after	
	Range	66 / 70	
	Description/Kit No	96567343	
105b	Secondary shaft seal	1	

Range 66 and 70 - Explosion proof pump



TM07 0945 2518



**O-ring, motors**

Pos.	Range		66	70
	Description/kit No		96294828	96294825
37a	O-ring	499.3 x 5.7	1	1
		535.0 x 5.7	-	1
39	O-ring	299.3 x 5.7	-	1
		339.3 x 5.7	1	-
72	O-ring	349.3 x 5.7	1	-
		399.3 x 5.7	1	1
72a	O-ring	349.3 x 5.7	1	-
		359.3 x 5.7	1	-
		399.3 x 5.7	1	1
		419.3 x 5.7	-	1
		16.3 x 2.4	1	-
107	O-ring	139.3 x 5.7	1	1
109	O-ring	159.3 x 5.7	1	1
157	O-ring	259.3 x 5.7	1	-
		309.3 x 5.7	1	1
157b	O-ring	339.3 x 5.7	1	-
		349.3 x 5.7	1	-
157b	O-ring	399.3 x 5.7	1	1
		194	O-ring	16.3 x 2.4
62	O-ring	54.5 x 3.0	1	1

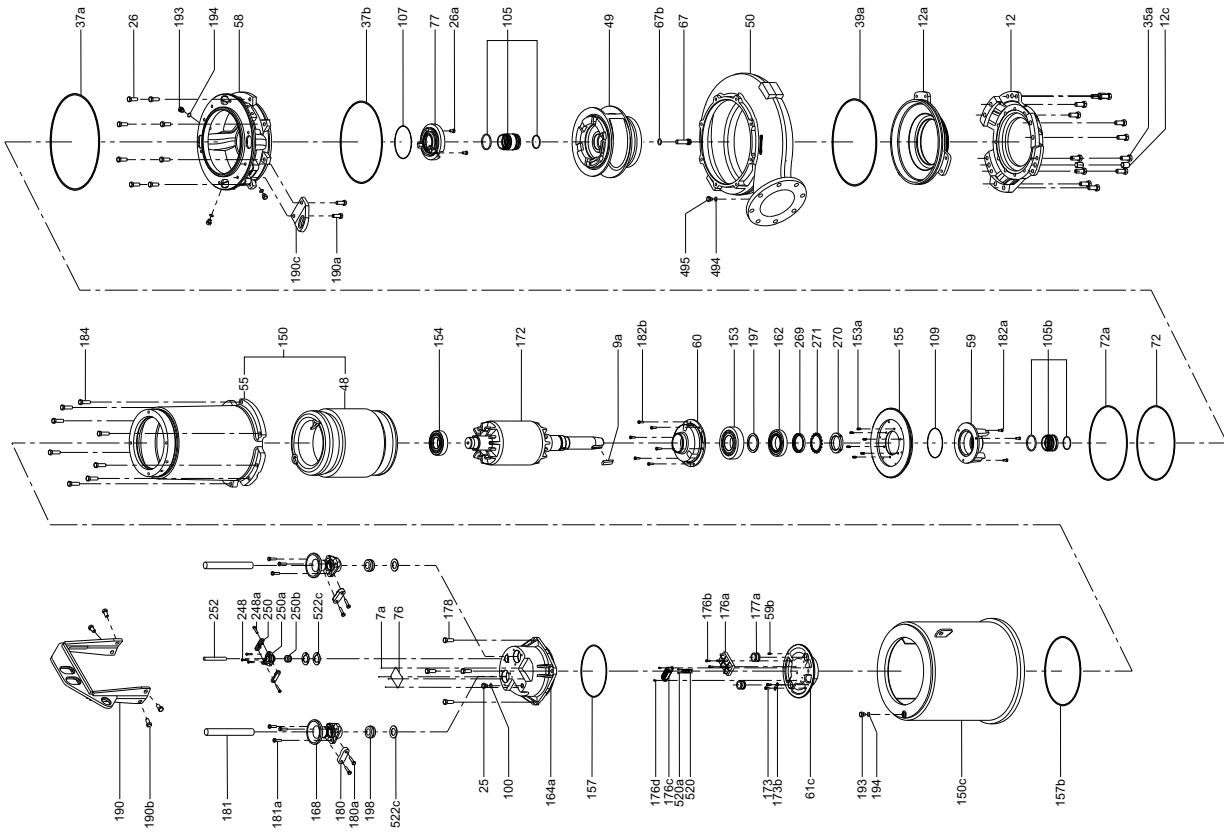
**O-ring, pumps**

Pos.	Range		66	70
	Description/kit No		96294829	96294826
37	O-ring	499.3 x 5.7	1	1
37b	O-ring	419.3 x 5.7	1	1
		439.3 x 5.7	1	1
39	O-ring	269.3 x 5.7	-	1
		279.3 x 5.7	1	1
		289.3 x 5.7	-	1
		299.3 x 5.7	1	1
		309.3 x 5.7	1	1
		399.3 x 5.7	1	1
		439.3 x 5.7	1	1
		419.3 x 5.7	1	1
39a	O-ring	439.3 x 5.7	1	1
		499.3 x 5.7	1	1
62	O-ring	69.5 x 3.0	1	1
		74.5 x 3.0	1	1
62a	O-ring	64.5 x 3.0	1	1
67b	O-ring	22.3 x 3.0	1	1
109	O-ring	59.5 x 3.0	1	1
495	O-ring	16.3 x 2.4	1	1

**Lifting bracket**

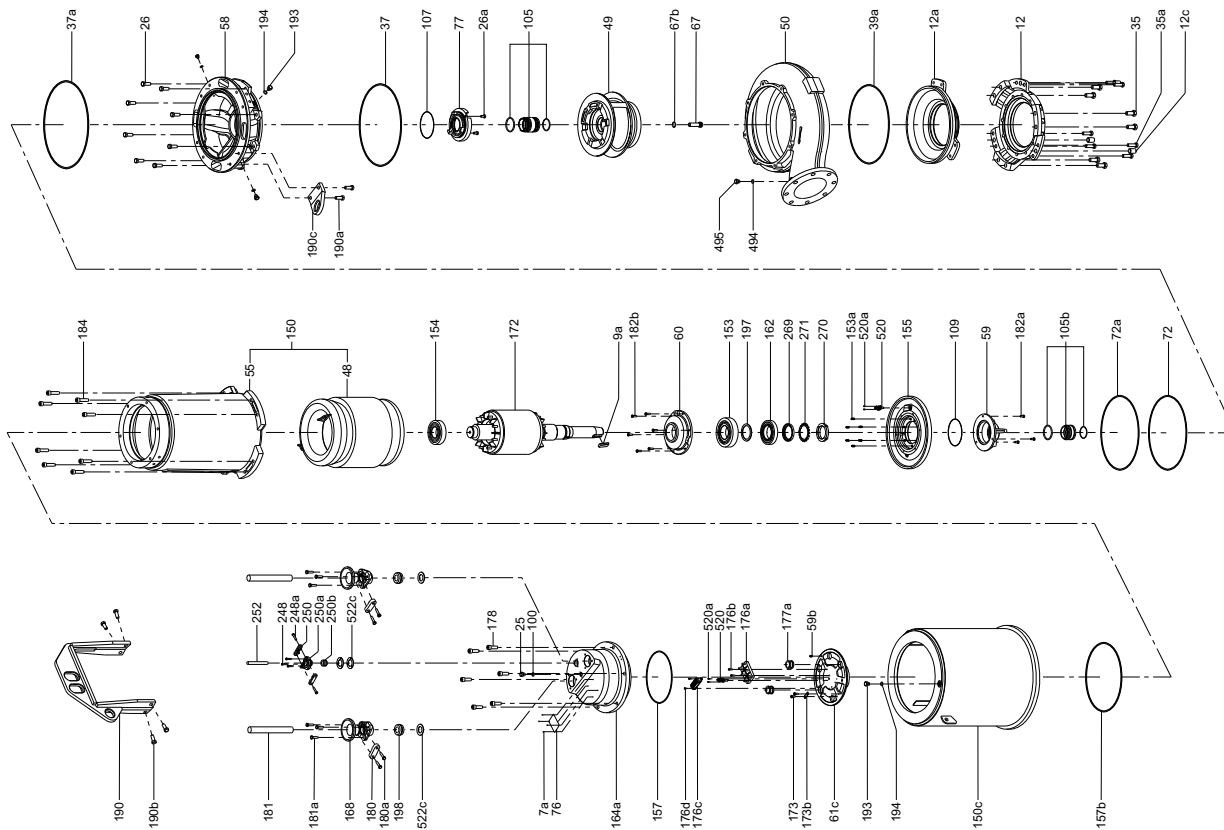
Pos.	Range		66	70
	Description/kit No		99466460	99466462
190	Lifting bracket		1	1
190b	Screw		4	4
190e	Plug		-	1
190f	Washer		4	4

Range 66- Non-explosion-proof pump



TM07 0944 2518

Range 70 - Non-explosion-proof pump



TM07 0946 4818

## Range 72

### 50/60 Hz

#### Cable

Pos.	Description	Cable length			
		10 m (33 ft)	15 m (50 ft)	25 m (82 ft)	50 m (165 ft)
181	4 x 70 mm <sup>2</sup>	97621415	97655908	97655909	97655921
	4 x 95 mm <sup>2</sup>	97621414	97655904	97655905	97655906
	4 x 120 mm <sup>2</sup>	97621413	97655886	97655889	97655890

#### Cable inlet

Pos.	Poles	10		6, 8		4	
	Cable type	4 x 70 mm <sup>2</sup>		4 x 95 mm <sup>2</sup>		4 x 120 mm <sup>2</sup>	
	Pump type	Standard	Ex	Standard	Ex	Standard	Ex
	Description/kit No	96842597	96842611	96293955	97621409	96293954	97621410
168	Cable entry	1	1	1	1	1	1
180	Cable clamp	1	1	1	1	1	1
180a	Hex screw	3	3	2	2	2	2
181a	Socket cap screw	2	2	3	3	3	3

#### Cable inlet gasket

Pos.	Description	Cable type	Poles	Kit No
198	Rubber seal	4 x 120 mm <sup>2</sup>	4	97621411
		4 x 95 mm <sup>2</sup>	6, 8	97621412
		4 x 70 mm <sup>2</sup>	10	96842639

#### Ex approved cable inlet

Manufactured 6.9.2017 and forward.

Pos.	Cable ID	46-1	46-2	46-3	46-4	80-1	80-2	80-3	100-1	100-2	100-3
Description/Kit No	99174567	99174568	99174569	99174570	99174573	99174574	99174575	99174576	99174577	99174578	
7a	Rivet	2	2	2	2	2	2	2	2	2	2
76b	Approval plate	1	1	1	1	1	1	1	1	1	1
168	Cable entry	1	1	1	1	1	1	1	1	1	1
180	Cable clamp	1	1	1	1	1	1	1	1	1	1
180a	Screw	2	2	2	2	2	2	2	2	-	-
	Bolt	-	-	-	-	-	-	-	-	2	2
181a	Screw	3	3	3	3	3	3	3	3	3	3
185	Washer	-	2	3	5	3	3	3	-	8	6
198	Rubber seal	1	1	1	1	1	1	1	1	1	1

#### Control cable

Pos.	Description	Cable length			
		10 m (33 ft)	15 m (50 ft)	25 m (82 ft)	50 m (165 ft)
252	10 x 1.5 mm <sup>2</sup>	95112879	95112880	95112881	95112882

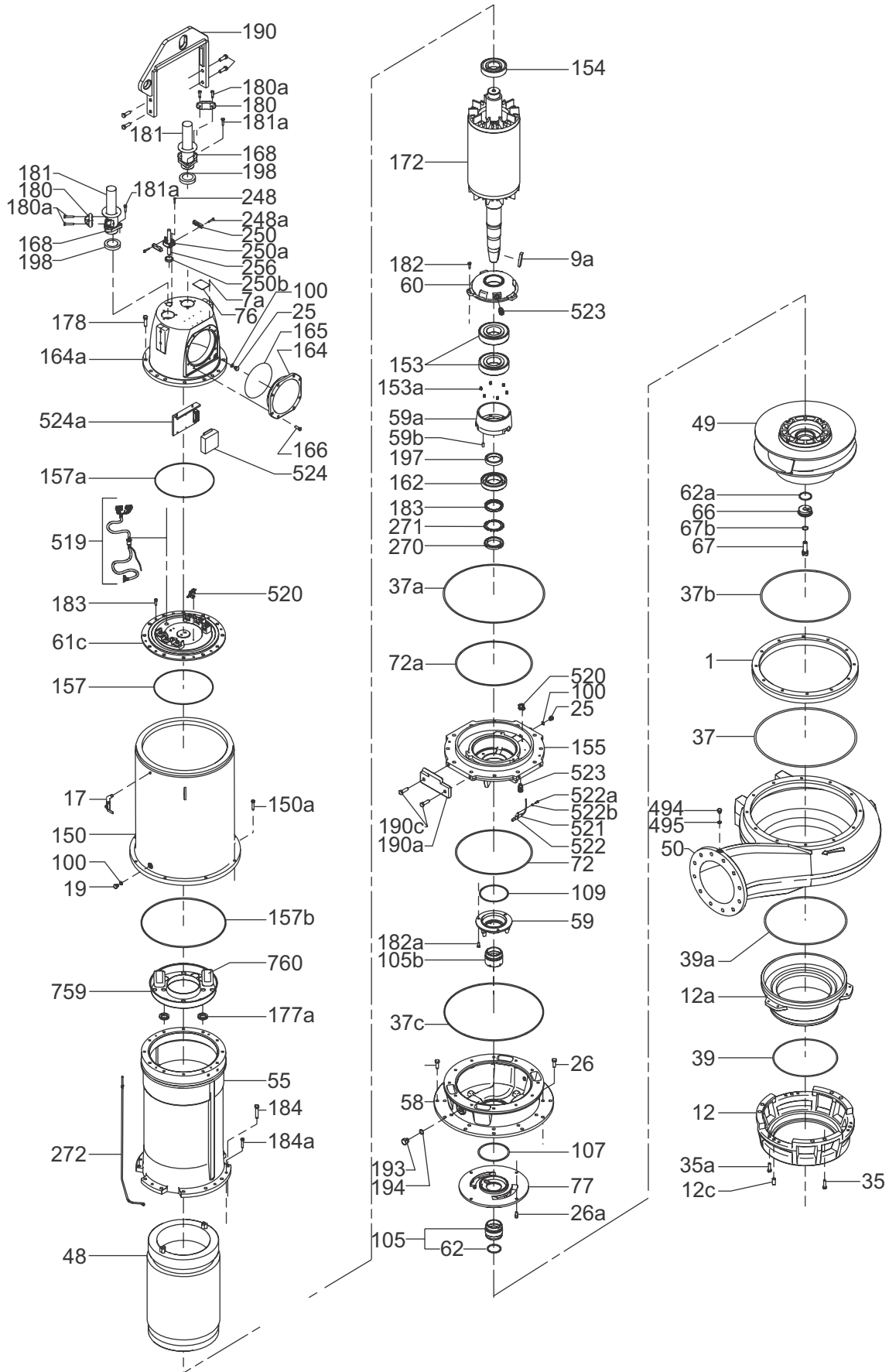
#### Control cable inlet

Pos.	Cable size	10 x 1.5 mm <sup>2</sup>	
	Pump type	Standard	Ex & FM
	Description/kit No	96842618	96842612
250a	Cable entry	1	1
250	Cable clamp	1	1
248a	Hex screw	2	2
248	Socket cap screw	3	3

#### Control cable inlet gasket

Pos.	Description	Cable type	Kit No
250b	Rubber seal	10 x 1,5 mm <sup>2</sup>	96842640

Range 72



TM03 3053 2018

**Lower bearing**

Pos.	Description/kit No	96293943
59a	Locking ring	1
59b	Pin	1
153	Angular bearing	2
153a	Spring	6
162	Roller bearing	1
197	Support washer	1
269	Intermediate ring	1
270	Nut	1
271	Lock washer	1

**Upper bearing**

Pos.	Description	97621449
154	Bearing	1

**Moisture switch**

Pos.	Description/kit No	96256056
520	Moisture switch	1
-	Adjusting gauge	1
-	Connector set (6 pcs)	1

**Water-in-oil sensor**

Pos.	Description/kit No	96293944
521	Water-in-oil sensor (cable 2.5 m)	1
522	Sensor holder	1
522a	Screw M6 x 16	1
522b	Washer	1

**Primary shaft seal**

Pos.	Description/kit No	96293941
105	Primary shaft seal	1

**Secondary shaft seal**

Pos.	Description/kit No	96293942
105b	Secondary shaft seal	1

**O-ring, motor**

Pos.	Description/kit No	96293952
37c	O-ring 608.1 x 7.0	1
72	O-ring 456.1 x 7.0	1
72a	O-ring 456.1 x 7.0	1
100	O-ring 16.3 x 2.4	1
107	O-ring 181.0 x 7.0	1
109	O-ring 169.3 x 5.7	1
157	O-ring 418.0 x 7.0	1
157a	O-ring 430.7 x 7.0	1
165	O-ring 234.3 x 7.0	1

**O-ring, pump**

Pos.	Description/kit No	96293951
37	O-ring 647.1 x 7.0	1
37b	O-ring 557.7 x 7.0	1
39	O-ring 379.3 x 5.7	1
	O-ring 399.3 x 5.7	1
	O-ring 439.3 x 5.7	1
	O-ring 582.7 x 7.0	1
	O-ring 419.3 x 5.7	1
39a	O-ring 499.3 x 5.7	1
	O-ring 596.3 x 7.0	1
100	O-ring 16.3 x 2.4	1

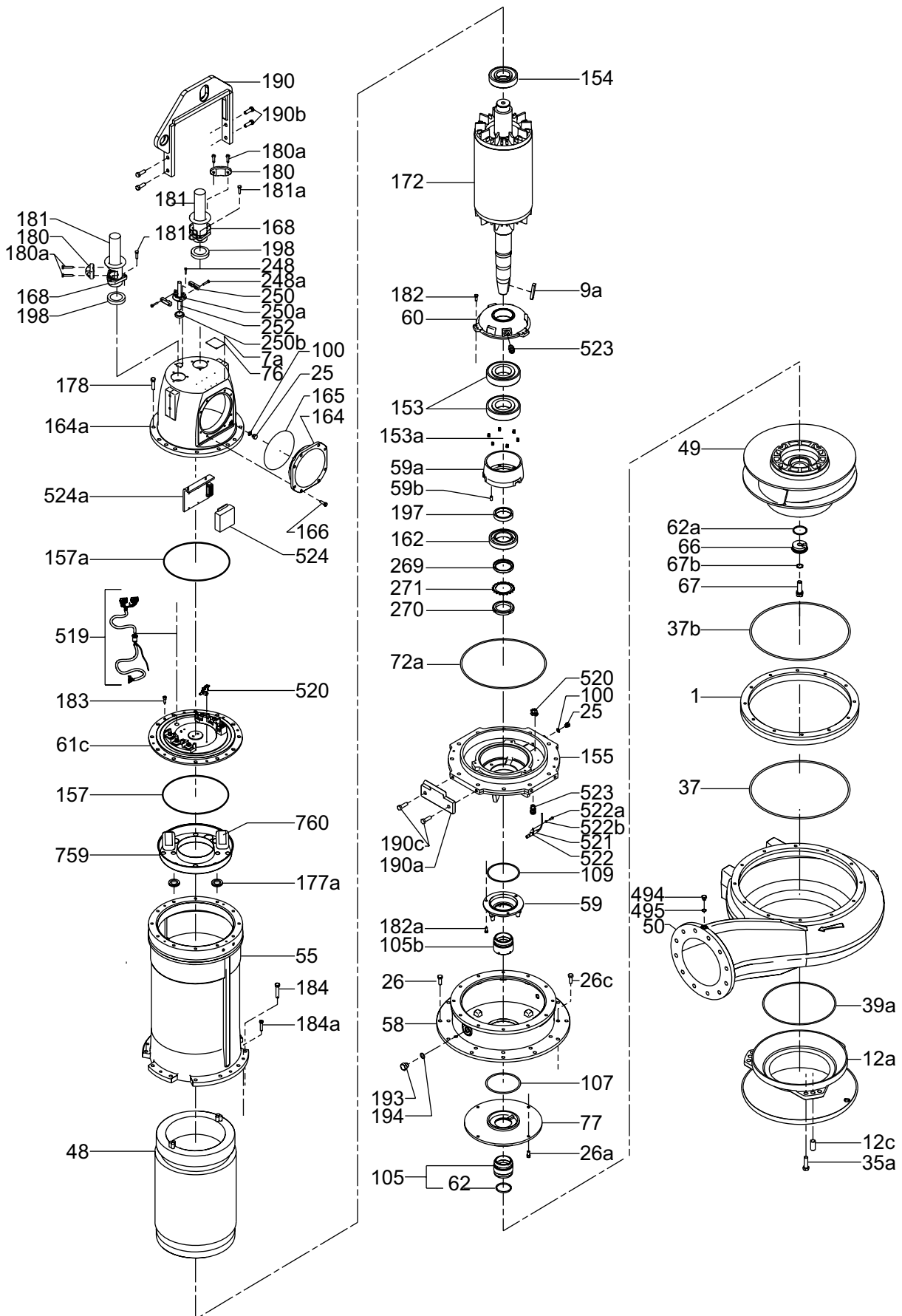
**Lifting lug**

Pos.	Description	97621402
190a	Lifting lug	1
190c	Screw	4

**Lifting bracket**

Pos.	Description	99466594
190	Lifting bracket	1
190b	Screw	4

Range 72



TM03 3055 2018

## Ranges 74 and 78

### 50/60 Hz

#### Cable

Pos.	Description	Range		Cable length			
		74	78	10 m (33 ft)	15 m (50 ft)	25 m (85 ft)	50 m (165 ft)
181	4 x 70 mm <sup>2</sup>	•	•	97621415	97655908	97655909	97655921
	4 x 95 mm <sup>2</sup>	•	•	97621414	97655904	97655905	97655906
	4 x 120 mm <sup>2</sup>	•	•	97621413	97655886	97655889	97655890
	4 x 150 mm <sup>2</sup>		•	97623094	97655928	97655929	97655930
	4 x 185 mm <sup>2</sup>		•	97623093	97655924	97655926	97655927

#### Cable inlet

Pos.	Cable type	4 x 70 mm <sup>2</sup>		4 x 95 mm <sup>2</sup>		4 x 120 mm <sup>2</sup>		4 x 150 mm <sup>2</sup>		4 x 185 mm <sup>2</sup>	
		Standard	Ex	Standard	Ex	Standard	Ex	Standard	Ex	Standard	Ex
Description/kit No		99198884	96842597	99198886	96293955	99198888	96293954	99198887	95113495	95113496	
39c	O-ring	1		1		1		1			
168	Cable entry	1		1		1		1			
168a	Adapter flange	1		1		1		1			
180	Cable clamp	1		1		1		1			
180a	Hex screw	2		2		2		2			
181a	Screw	3		3		3		3			
183b	Hex head screw	3		3		3		3			

#### Cable inlet gasket

Pos.	Cable size	4 x 70 mm <sup>2</sup>		4 x 95 mm <sup>2</sup>		4 x 120 mm <sup>2</sup>		4 x 150 mm <sup>2</sup>	
		Description/kit No		96842639	97621412	97621411	97623091		
198	Rubber seal		1		1		1		1

#### Ex approved cable inlet

Manufactured 6.9.2017 and forward.

Pos.	Cable ID	46-1	46-2	46-3	46-4	80-1	80-2	80-3	100-1	100-2	100-3
		Description/Kit No	99174567	99174568	99174569	99174570	99174573	99174574	99174575	99174576	99174577
7a	Rivet	2	2	2	2	2	2	2	2	2	2
76b	Approval plate	1	1	1	1	1	1	1	1	1	1
168	Cable entry	1	1	1	1	1	1	1	1	1	1
180	Cable clamp	1	1	1	1	1	1	1	1	1	1
180a	Screw	2	2	2	2	2	2	2	2	-	-
	Bolt	-	-	-	-	-	-	-	-	2	2
181a	Screw	3	3	3	3	3	3	3	3	3	3
185	Washer	-	2	3	5	3	3	3	-	8	6
198	Rubber seal	1	1	1	1	1	1	1	1	1	1

#### Control cable

Pos.	Description/length	10 m	15 m	25 m	50 m
252	Control cable (10 x 1.5 mm <sup>2</sup> )	95112879	95112880	95112881	95112882

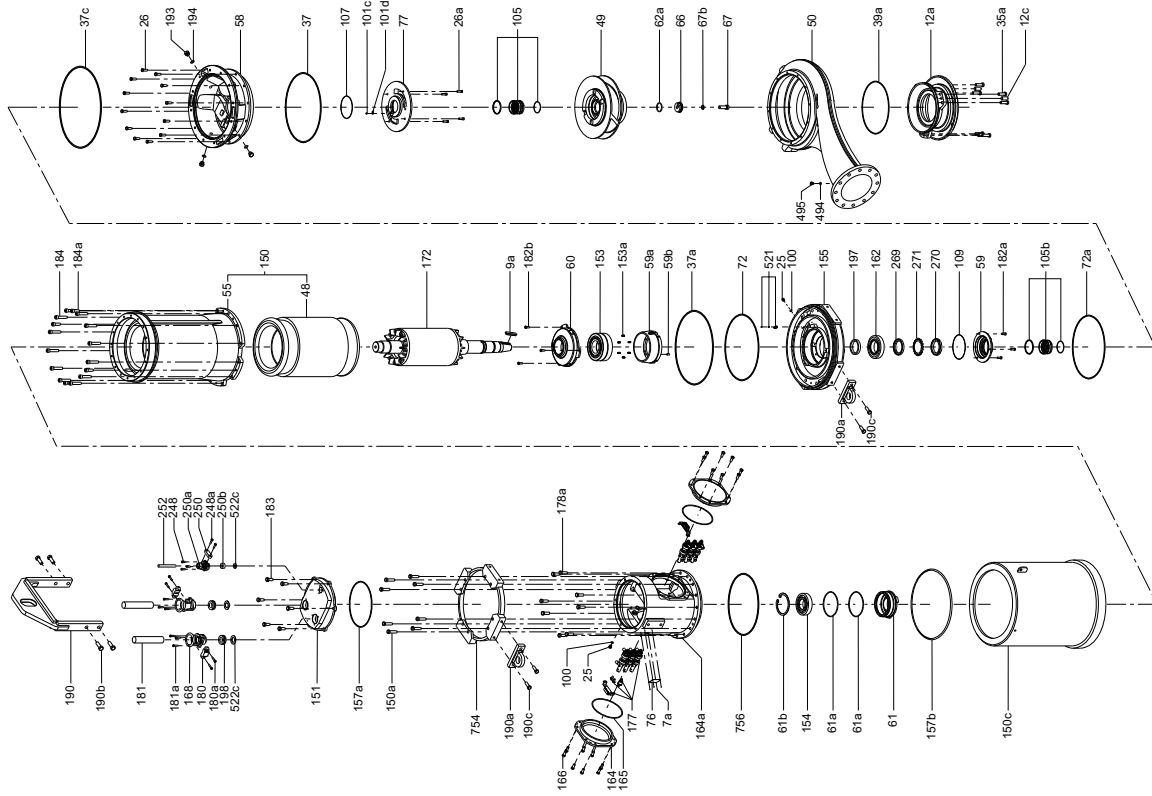
#### Control cable inlet

Pos.	Description/kit No	96842612
168	Cable entry	1
180	Cable clamp	1
181a	Socket cap screw	3
248a	Hex screw	2

#### Control cable inlet gasket

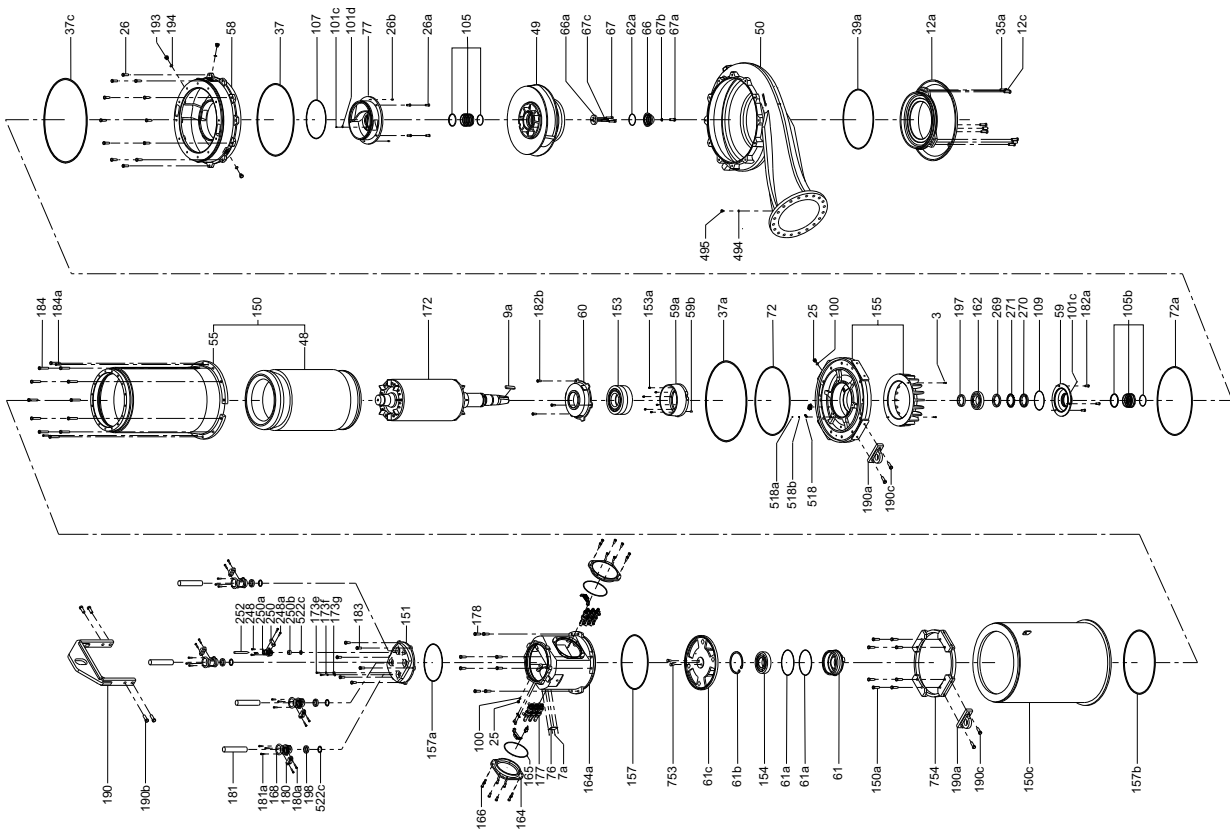
Pos.	Description/kit No	96842640
250b	Rubber seal	1

Range 74 - Non-explosion-proof pump



TM07 0947 4818

Range 78 - Non-explosion-proof pump



TM07 0949 0619



**Moisture switch**

Pos.	Description/kit No	96256056	
224	Moisture switch	1	
-	Connector set (6 pc.)	1	
-	Adjusting fork	1	

**Water-in-oil sensor**

Description/kit No	96295150	96295149	96295148
10 m	1	-	-
Water-in-oil sensor 25 m	-	1	-
50 m	-	-	1
Cable entry	1	1	1
Rubber seal	1	1	1
Right-angle connector	1	1	1
Protective hose	8	8	8
Fixing piece	2	2	2
Band	5	5	1
Band lock	2	2	2
O-ring	1	1	1
Shrink glue	1	1	1

**Transient barrier set for WIO**

Pos.	Description/kit No	98686403	
518	Transient barrier	1	
518a	Cylindric screw	1	
518b	Star washer	1	
-	Insulation hose	1	
-	Terminal blade	2	
-	Butt splice	2	

**Lifting bracket**

Pos.	Range	74	78
	Description/kit No	99466591	99466595
190	Lifting bracket	1	1
190b	Screw	4	4

**Lifting lug**

Pos	Range	74	78
	Description/kit No	97623081	97623267
190a	Lifting lug	1	1
190c	Screw	4	4

**Upper bearing**

Pos	Range	74	78
	Description/kit No	97623102	97623279
154	Ball bearing	1	1

**Lower bearing**

Pos	Range	74	78
	Description/kit No	95113486	95113487
59a	Locking ring	1	1
59b	Pin	1	1
153	Angular bearing	2	2
153a	Spring	6	6
162	Roller bearing	1	1
197	Washer	1	1
269	Angle ring	1	1
270	Nut	1	1
271	Locking ring	1	1

**Primary shaft seal**

Pos	Range	74	78
	Description/kit No	97536236	97536234
105	Primary shaft seal	1	1

**Secondary shaft seal**

Pos	Range	74	78
	Description/kit No	97536237	97536235
150b	Secondary shaft seal	1	1

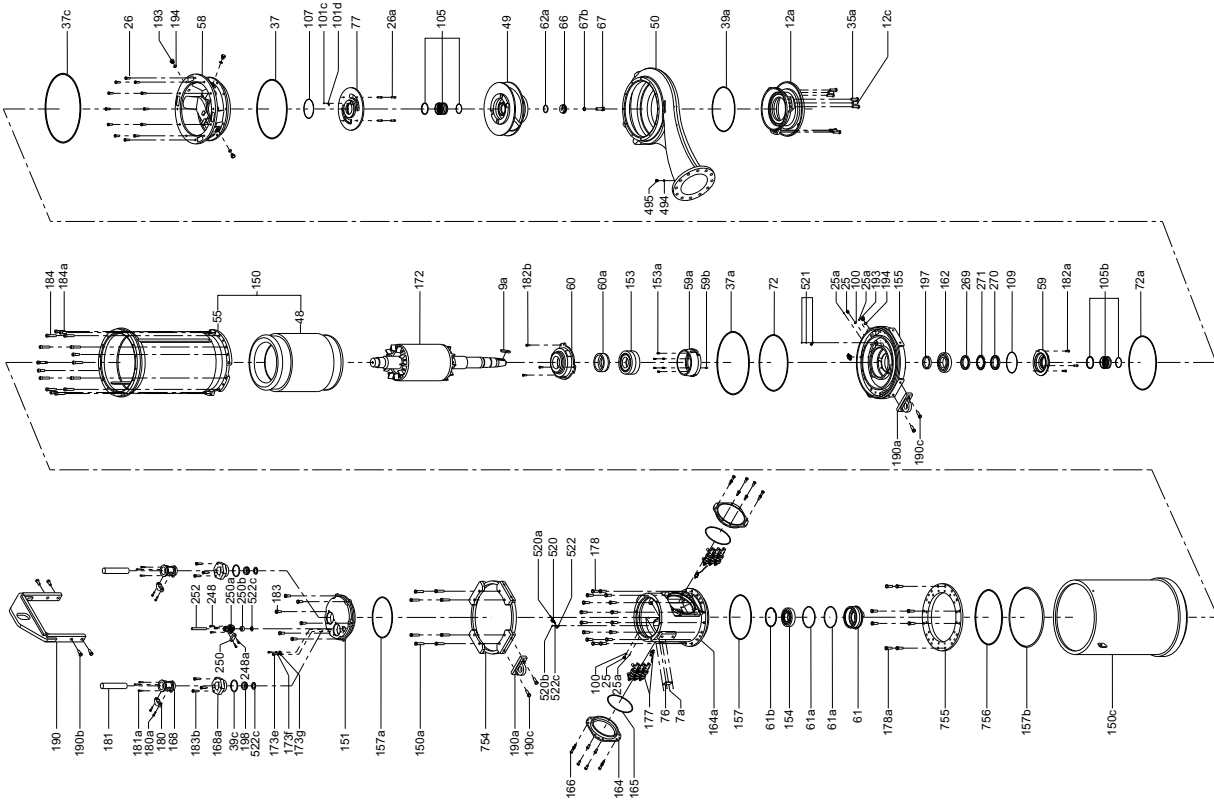
**O-ring, motor**

Pos.	Description/kit No	97623100	
37c	O-ring	699.0 x 7.0	1
61a	O-ring	209.0 x 5.7	2
72	O-ring	541.0 x 7.0	1
100	O-ring	16.3 x 2.4	2
107	O-ring	181.0 x 7.0	1
109	O-ring	209.3 x 5.7	1
157	O-ring	481.5 x 7.01	1
157a	O-ring	405.3 x 7.0	1
165	O-ring	285.1 x 7.0	2
756	O-ring	582.7 x 7.0	1

**O-ring, pump**

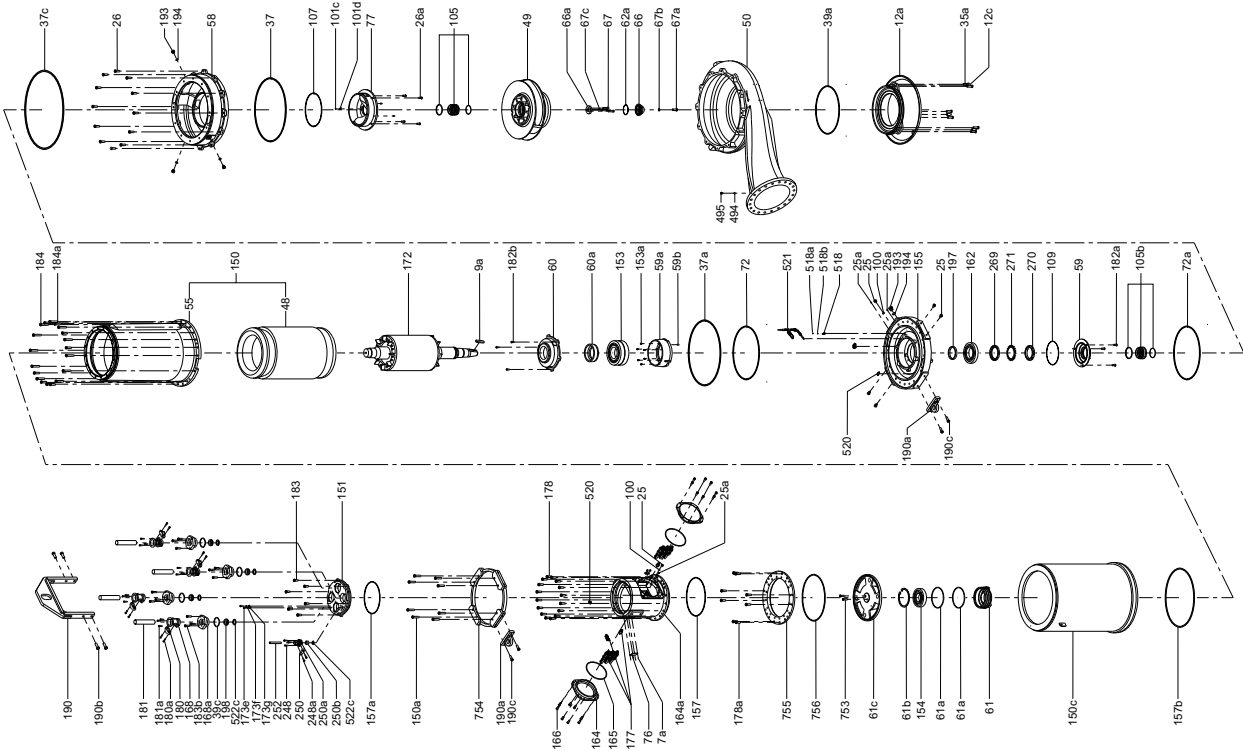
Pos	Range	74	78
	Description/kit No	96293951	97623276
37	O-ring	647.1 x 7.0	1
37b	O-ring	557.7 x 7.0	1
	O-ring	920.0 x 7.0	-
39	O-ring	379.3 x 5.7	1
	O-ring	399.3 x 5.7	1
	O-ring	439.3 x 5.7	1
	O-ring	532.3 x 7.0	-
	O-ring	582.7 x 7.0	1
	O-ring	419.3 x 5.7	1
39a	O-ring	499.3 x 5.7	1
	O-ring	596.3 x 7.0	1
	O-ring	608.1 x 7.0	-
488	O-ring	658.9 x 7.0	-
	O-ring	1200.0 x 7.0	-
495	O-ring	16.3 x 2.4	1

**Range 74 - Explosion-proof pump**



TM07 0948 4818

**Range 78 - Non-explosion-proof pump**



TM07 0950 0519